

Kifix[®]
CLAMPING SOLUTIONS

MASTER DISTRIBUTOR:

WESTERN LINK and INNOVATIVE TOOL SALES

1742-5 West Katella Avenue

Orange, CA 92867

714-532-1628

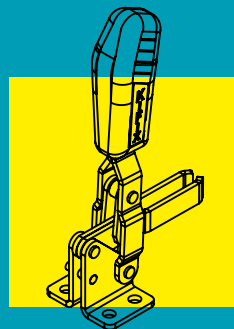
www.westernlinksales.com

sales@westernlinksales.com

CATA

LOG

PRODUCT 21/22



Kifix[®]
CLAMPING SOLUTIONS

SINCE 2004

THE KIFIX

Headquartered in the state of Rio Grande do Sul, in the city of Caxias do Sul, the company manufactures toggle clamps since 2004, offering more than 600 products of the highest quality, directed to a wide range of industrial activities, such as: metalworking, furniture, chemical, food, automotive, auto parts, etc.

Kifix has professionals who are at your disposal to help you solve your fixation problems.

The fastening system, called "toggle clamps", is a tool that can be operated manually, pneumatically, hydraulically or electrically. It was first manufactured in 1936, so for over 70 years it has been solving fixing problems in industrial processes such as drilling, threading, welding, gluing, assembling and milling, etc.

Several toggle clamps models are manufactured, such as vertical, horizontal, pull action latch, straight line action and squeeze action; and are made of galvanized carbon steel or stainless steel, with retention capacity of 50 to 1,800kg. Special sizes and types are made on demand.



pag **06** Vertical Hold-Down Toggle Clamp

KF-718
KF-631
KF 010 / KF-012 / KF-017 / KF-018 / KF-016 / KF-011 / KF-111
KF-017 T
KF-010F / KF-012F / KF-019 / KF-211 / KF-311 / KF-411
KF-615 / KF-616 / KF-641 / KF-066 / KF-845 / KF-875
KF-017 DS A / KF-011 DS A / KF-011 DS A JD / KF-111 DS A
KF-211 DS A / KF-311 DS A / KF-411 DS A
KF-MP / KF-JD
KF-725 / KF-825
KFU

pag **16** Horizontal Hold-Down Toggle Clamp

KF-105 / KF-106 / KF-107 / KF-152 / KF-732 / KF-511 / KF-512 / KF-521 / KF-522 / KF-532 / KF-534
KF-106 F / KF-107 F / KF-152 F / KF-312 F / KF-522 F / KF-531 F
KF-531 / KF-541 / KF-312 / KF-712 / KF-523 / KF-722 / KF-533
KF-102 / KF-101 / KF-103 / KF-104 / KF-515

pag **22** Pull Action Latch Clamp

KF-310 / KF-314 / KF-326 / KF-320
KF-233 / KF-643 / KF-743 / KF-133 / KF-843 / KF-943 / KF-143
KF-033 / KF-353 / KF-153 / KF-453 / KF-553
KF-063 / KF-163 / KF-263 / KF-423 / KF-433 / KF-443 / TKF-473
KF-330 / KF-350 / KF-340 / KF-375 / KF-385
KFC3 / KF5C

pag **28** Pull Action Latch Clamp with Strap

KF-233 CT / KF-743 CT / KF-843 CT

pag **29** Straight Line Action Clamp

KF-305 / KF-405 / KF-505 / KF-605
KF-061 / KF-057 / KF-051 / KF-054 / KF-053 / KF-052 / KF-056

pag **31** Straight Line Action Clamp with Hand Handle

KF-052 AL / KF-054 AL / KF-057 AL

pag **32** Straight Line Action Clamp with Turning

KF-007 G

pag **33** Straight Line Action Clamp Frontal

KF-005 / KF-006 / KF-007 / KF-009 / KF-015 / KF-025 / KF-035
BASES "L"

pag **34** **Straight Line Action Clamp Square Plunger**
KFKT-012

pag **35** **Variable Stroke**
KFRL / KFRF

pag **35** **Handles**
KFM-6 / KFM-8 / KFM-10 / KFM12 / KFM-16

pag **36** **Carver Clamp**
KFS-150 / KFS-300

pag **36** **Compressor Clamp**
KF-035 34 / KF-035 60 / KF-035 3660 / KF-035 100

pag **37** **Pneumático Clamp**
KF-012 P / KF-017 P / KF-011 P / KF-111 P
KF-057 P / KF-052 P / KF-066 P
KF-019 P / KF-311 P / KF-411 P
KF-718 P

pag **40** **Power Clamp**
KFP-L40 / KFP-L63

pag **41** **Hinges and Latch**
KFD-14 / KFD 19
KFT-10 / KFT-14

pag **41** **Squeeze Action Clamp**
KFA-300
KF-325 / KFA-25 / KFA-35 / KFA-45 / KFA-70 / KFA-90 / KFA-100 / KFA-150

pag **43** **Hand Handle**
KF-AL

pag **43** **Spindle**
PC / PF
PP / PS / PSB / PA / ARP / ARB / PB / BRP / BRB / BAP / PBC / BRPC
PSD / PBD

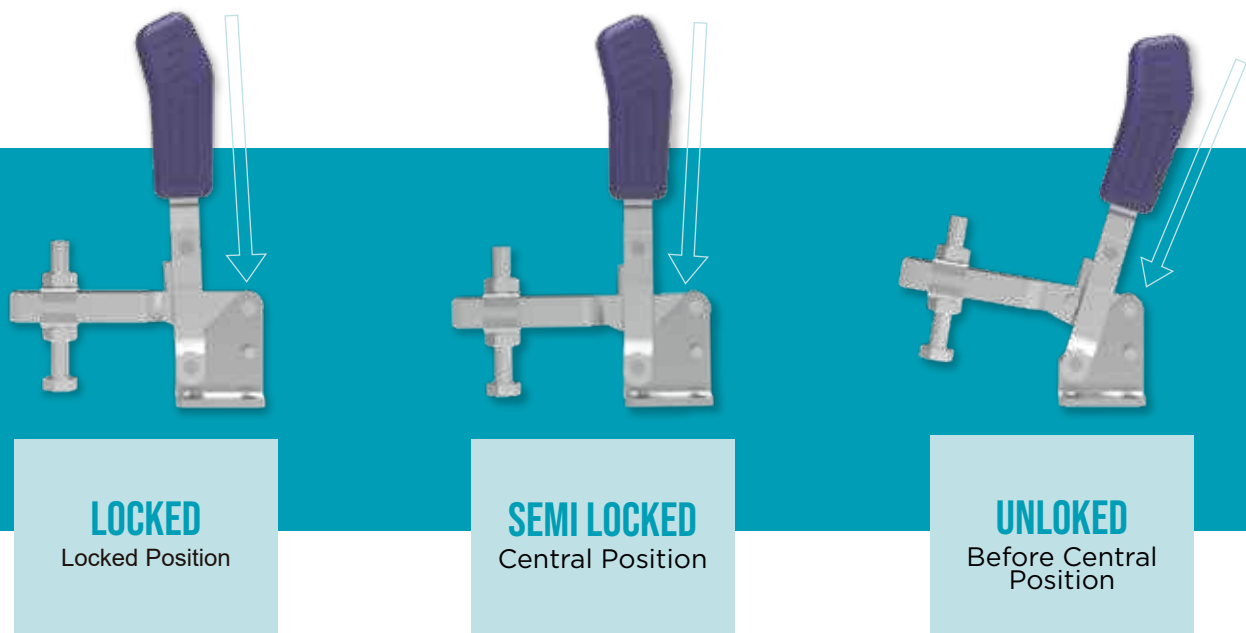
MECHANISM

The toggle clamping system has received various designations over time, for example: Clip, manual press, fastener, clamp (CLAMP -USA).

It originated in the United States of America in 1936. Today there are more than 100 manufacturers around the world.

This mechanism consists of a three-point joint known as "knee or elbow action", which provides a mechanical lock (see figure below) that generates a retaining force contrary to the applied force, which is released only if actuated purposefully.

In order to avoid random unlocking, we also offer quick coupling clamps with safety locks.



RETENTION FORCE

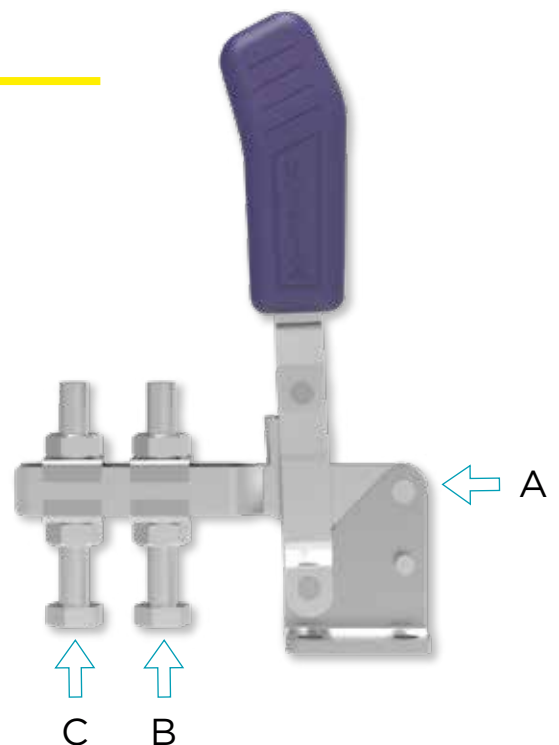
The retention force is proportional to the distance of the turning point (A) to the point of attachment of the tip (B / C).

The greater the distance between point A and the point of attachment of the tip, the least the retention force.

The retention force is proportional to the distance of the turning point (A) to the point of attachment of the tip (B / C).

Distance AC: 135mm F1 (specified in the catalog) = 680 Kgf

Distance AB: 90mm F2 = $680 \times AC / AB = 680 \times 135 / 90 = 1.020$ Kgf.



CABLE COLORS

We have color options for the clamp cables, blue (standard color), black, red, orange and green. And for handle model cables we have the colors blue (standard), black and red.



Blue (standart)



Black



Red



Orange



Green



Black



Red



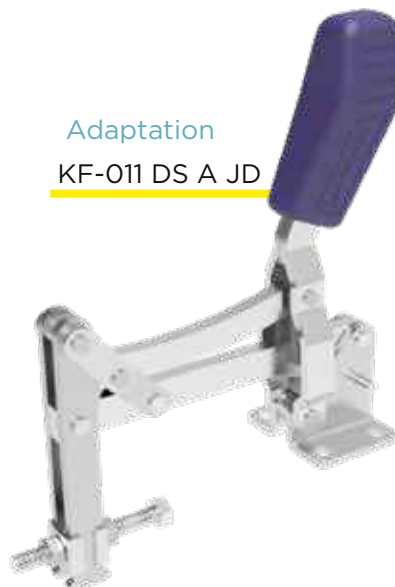
Blue (standart)

SPECIAL PROJECTS

We work with the development of new projects or adaptation of existing products, according to the client's needs, being able to elaborate something specific for each business.



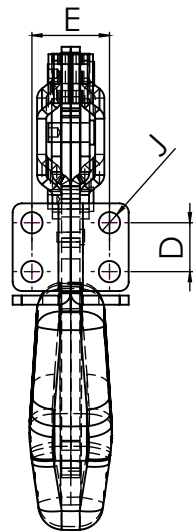
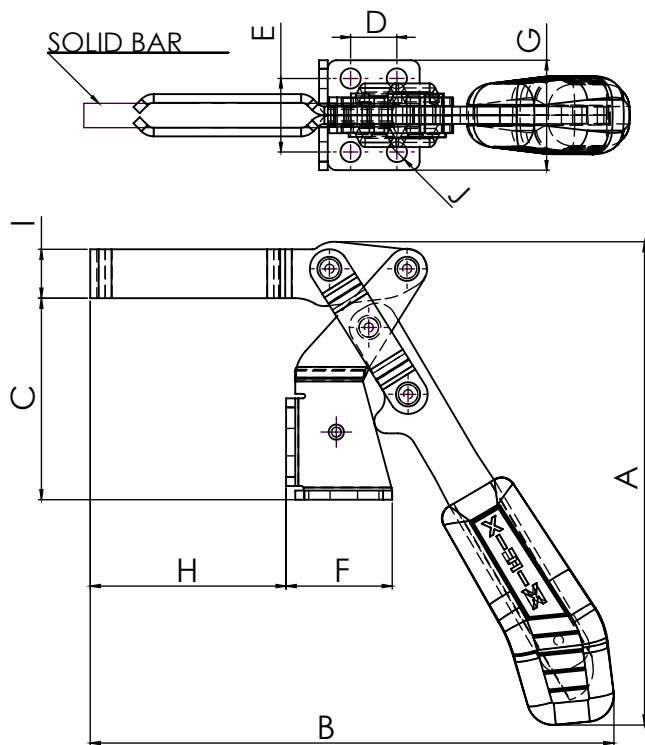
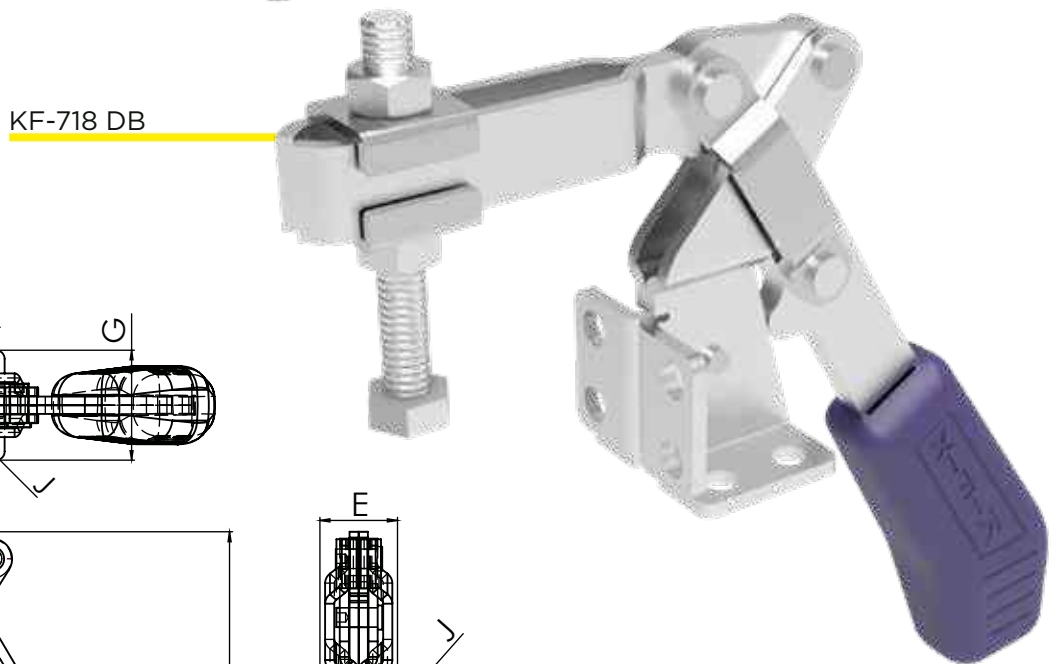
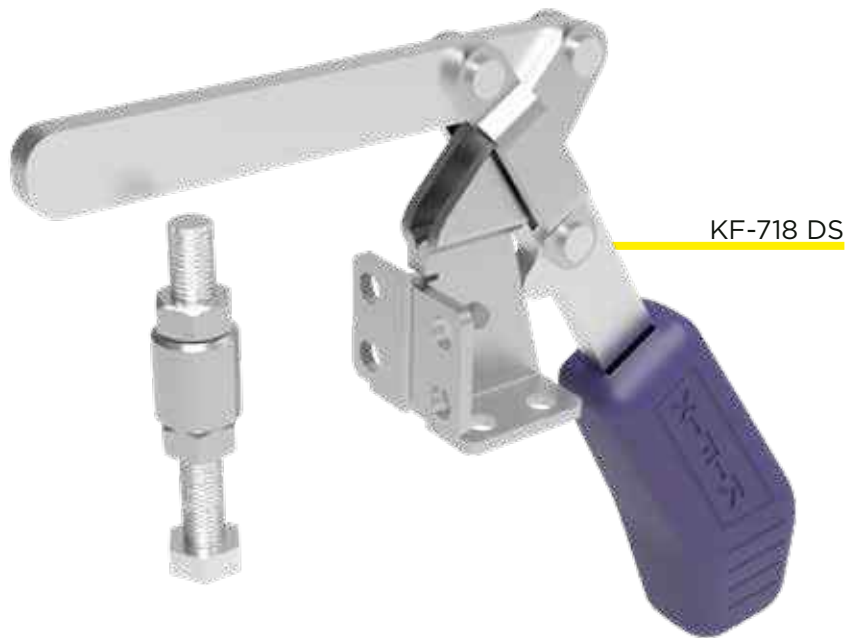
KF-011 DS A



Adaptation

KF-011 DS A JD

VERTICAL HOLD-DOWN TOGGLE CLAMP



BASES
 D - Flanged Base
 R - Straight Base

BAR
 B - U-Bar
 S - Solid Bar

REFERENCE	RETENTION FORCE KGF (LBF)	A (IN)	B (IN)	C (IN)	D (IN)	E (IN)	F (IN)	G (IN)	H (IN)	I (IN)	J (IN)	OPENING ANGLE	WEIGHT KG (LB)
KF-718 DB	170 (374)	158,3 (6,23)	171,5 (6,75)	66 (2,60)	16 (0,63)	25,4 (1,00)	35 (1,38)	38 (1,50)	64 (2,52)	16 (0,63)	7,0 (0,28)	185	0,500 (1,100)
KF-718 DS	170 (374)	170,6 (6,72)	198,3 (7,81)	66 (2,60)	16 (0,63)	25,4 (1,00)	35 (1,38)	38 (1,50)	82 (3,23)	16 (0,63)	7,0 (0,28)	185	0,520 (1,144)

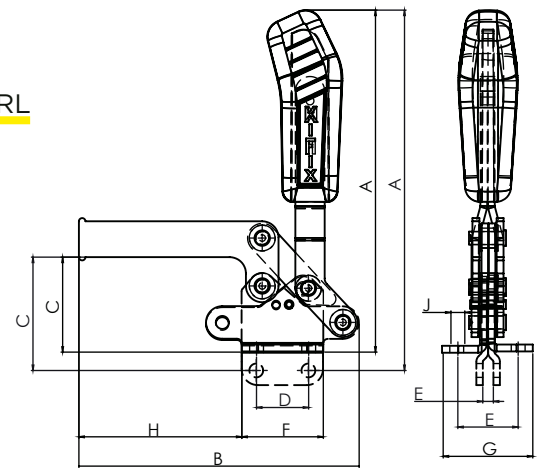
VERTICAL HOLD-DOWN TOGGLE CLAMP



KF-631 DI TR



KF-631 RL



REFERENCE	RETENTION FORCE KGF (LBF)	A (IN)	B (IN)	C (IN)	D (IN)	E (IN)	F (IN)	G (IN)	H (IN)	J (IN)	OPENING ANGLE	WEIGHT KG (LB)
KF-631 D	400 (880)	189 (7,44)	129 (5,08)	28 (1,10)	32 (1,26)	37 (1,46)	50 (1,97)	55 (2,17)	57 (2,24)	8,5 (0,33)	85	0,860 (1,892)
KF-631 D TR	400 (880)	204 (8,03)	129 (5,08)	28 (1,10)	32 (1,26)	37 (1,46)	50 (1,97)	55 (2,17)	57 (2,24)	8,5 (0,33)	85	0,930 (2,046)
KF-631 DI	400 (880)	189 (7,44)	129 (5,08)	56 (2,20)	32 (1,26)	37 (1,46)	50 (1,97)	55 (2,17)	57 (2,24)	8,5 (0,33)	85	0,860 (1,892)
KF-631 DI TR	400 (880)	204 (8,03)	129 (5,08)	56 (2,20)	32 (1,26)	37 (1,46)	50 (1,97)	55 (2,17)	57 (2,24)	8,5 (0,33)	85	0,930 (2,046)
KF-631 R	400 (880)	201 (7,91)	129 (5,08)	40 (1,57)	32 (1,26)	6,5 (0,26)	50 (1,97)	-	57 (2,24)	8,5 (0,33)	85	0,860 (1,892)
KF-631 R TR	400 (880)	216 (8,50)	129 (5,08)	40 (1,57)	32 (1,26)	6,5 (0,26)	50 (1,97)	-	57 (2,24)	8,5 (0,33)	85	0,930 (2,046)
KF-631 RI	400 (880)	201 (7,91)	129 (5,08)	68 (2,68)	32 (1,26)	6,5 (0,26)	50 (1,97)	-	57 (2,24)	8,5 (0,33)	85	0,860 (1,892)
KF-631 RI TR	400 (880)	216 (8,50)	129 (5,08)	68 (2,68)	32 (1,26)	6,5 (0,26)	50 (1,97)	-	57 (2,24)	8,5 (0,33)	85	0,930 (2,046)
KF-631 DL	300 (660)	189 (7,44)	172 (6,77)	28 (1,10)	32 (1,26)	37 (1,46)	50 (1,97)	55 (2,17)	100 (3,94)	8,5 (0,33)	85	0,920 (2,024)
KF-631 DL TR	300 (660)	204 (8,03)	172 (6,77)	28 (1,10)	32 (1,26)	37 (1,46)	50 (1,97)	55 (2,17)	100 (3,94)	8,5 (0,33)	85	0,990 (2,178)
KF-631 DIL	300 (660)	189 (7,44)	172 (6,77)	56 (2,20)	32 (1,26)	37 (1,46)	50 (1,97)	55 (2,17)	100 (3,94)	8,5 (0,33)	85	0,920 (2,024)
KF-631 DIL TR	300 (660)	204 (8,03)	172 (6,77)	56 (2,20)	32 (1,26)	37 (1,46)	50 (1,97)	55 (2,17)	100 (3,94)	8,5 (0,33)	85	0,990 (2,178)
KF-631 RL	300 (660)	201 (7,91)	172 (6,77)	40 (1,57)	32 (1,26)	6,5 (0,26)	50 (1,97)	-	100 (3,94)	8,5 (0,33)	85	0,920 (2,024)
KF-631 RL TR	300 (660)	216 (8,50)	172 (6,77)	40 (1,57)	32 (1,26)	6,5 (0,26)	50 (1,97)	-	100 (3,94)	8,5 (0,33)	85	0,990 (2,178)
KF-631 RIL	300 (660)	201 (7,91)	172 (6,77)	68 (2,68)	32 (1,26)	6,5 (0,26)	50 (1,97)	-	100 (3,94)	8,5 (0,33)	85	0,920 (2,024)
KF-631 RIL TR	300 (660)	216 (8,50)	172 (6,77)	68 (2,68)	32 (1,26)	6,5 (0,26)	50 (1,97)	-	100 (3,94)	8,5 (0,33)	85	0,990 (2,178)



KF-016 RS



KF-018 DB TR

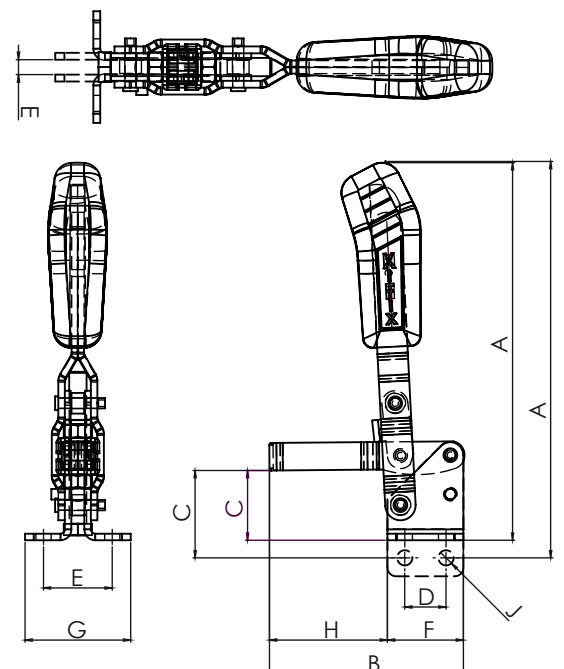


KF-017 DBL



KF-111 RBL

- BASES**
- D - Flanged Base
- R - Straight Base
- BAR**
- B - U-Bar
- S - Solid Bar
- L - Long U-Bar
- I - Inverted
- TR - with Toggle-Lock Plus**



VERTICAL HOLD-DOWN TOGGLE CLAMP



KF-011 DB TR



KF-012 RB



KF-111 DBL

BASES
D - Flanged Base
R - Straight Base

BAR
B - U-Bar
S - Solid Bar
L - Long U-Bar

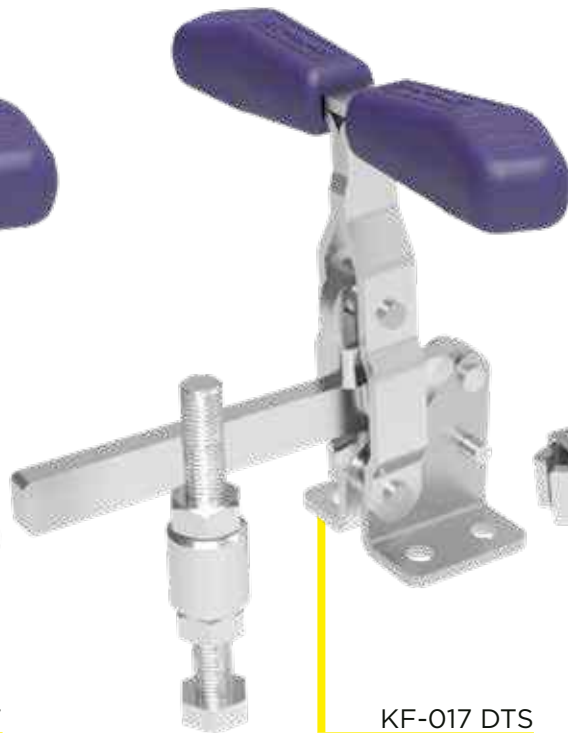
TR - with Toggle Lock Plus

REFERENCE	RETENTION FORCE KGF (LBF)	A (IN)	B (IN)	C (IN)	D (IN)	E (IN)	F (IN)	G (IN)	H (IN)	J (IN)	OPENING ANGLE	WEIGHT KG (LB)
KF-010 DB	32 (70,4)	86 (3,39)	51,3 (2,02)	16 (0,63)	16 (0,63)	23,9 (0,94)	25,4 (1,00)	33,3 (1,31)	25,9 (1,02)	4,3 (0,17)	90	0,090 (0,190)
KF-010 RB	32 (70)	93 (3,66)	51,3 (2,02)	23 (0,91)	16 (0,63)	4 (0,16)	25,4 (1,00)	-	25,9 (1,02)	4,3 (0,17)	90	0,090 (0,190)
KF-012 DB	90 (198)	128 (5,04)	70 (2,76)	23 (0,91)	12,7 (0,50)	27 (1,06)	25 (0,98)	39,6 (1,56)	45 (1,77)	5,6 (0,22)	90	0,210 (0,462)
KF-012 DBL	70 (154)	128 (5,04)	85 (3,35)	23 (0,91)	12,7 (0,50)	27 (1,06)	25 (0,98)	39,6 (1,56)	60 (2,36)	5,6 (0,22)	90	0,215 (0,473)
KF-012 RB	90 (198)	132 (5,20)	70 (2,76)	29 (1,14)	12,7 (0,50)	6 (0,24)	25 (0,98)	-	45 (1,77)	5,6 (0,22)	90	0,210 (0,462)
KF-012 RBL	70 (154)	132 (5,20)	85 (3,35)	29 (1,14)	12,7 (0,50)	6 (0,24)	25 (0,98)	-	60 (2,36)	5,6 (0,22)	90	0,215 (0,473)
KF-017 DB	170 (374)	175 (6,89)	90 (3,54)	32 (1,26)	19 (0,75)	32 (1,26)	35 (1,38)	49 (1,93)	55 (2,17)	7,0 (0,28)	90	0,400 (0,880)
KF-017 RB TR	170 (374)	183 (7,20)	90 (3,54)	40 (1,57)	19 (0,75)	6,5 (0,26)	35 (1,38)	-	55 (2,17)	7,0 (0,28)	90	0,400 (0,880)
KF-017 DB TR	170 (374)	175 (6,89)	90 (3,54)	32 (1,26)	19 (0,75)	32 (1,26)	35 (1,38)	49 (1,93)	55 (2,17)	7,0 (0,28)	90	0,400 (0,880)
KF-017 DBL	150 (330)	175 (6,89)	120 (4,72)	32 (1,26)	19 (0,75)	32 (1,26)	35 (1,38)	49 (1,93)	85 (3,35)	7,0 (0,28)	90	0,410 (0,902)
KF-017 DBL TR	150 (330)	175 (6,89)	120 (4,72)	32 (1,26)	19 (0,75)	32 (1,26)	35 (1,38)	49 (1,93)	85 (3,35)	7,0 (0,28)	90	0,410 (0,902)
KF-017 DS	200 (440)	175 (6,89)	120 (4,72)	32 (1,26)	19 (0,75)	32 (1,26)	35 (1,38)	49 (1,93)	85 (3,35)	7,0 (0,28)	90	0,410 (0,902)
KF-017 RB	170 (374)	183 (7,20)	90 (3,54)	40 (1,57)	19 (0,75)	6,5 (0,26)	35 (1,38)	-	55 (2,17)	7,0 (0,28)	90	0,400 (0,880)
KF-017 RBL	150 (330)	183 (7,20)	120 (4,72)	40 (1,57)	19 (0,75)	6,5 (0,26)	35 (1,38)	-	85 (3,35)	7,0 (0,28)	90	0,410 (0,902)
KF-017 RS	200 (440)	183 (7,20)	120 (4,72)	40 (1,57)	19 (0,75)	6,5 (0,26)	35 (1,38)	-	85 (3,35)	7,0 (0,28)	90	0,410 (0,902)
KF-018 DB	250 (550)	178 (7,01)	120 (4,72)	32 (1,26)	20 (0,79)	33,5 (1,32)	37 (1,46)	50,5 (1,99)	83 (3,27)	7,0 (0,28)	90	0,430 (0,946)
KF-018 DB TR	250 (550)	178 (7,01)	120 (4,72)	32 (1,26)	20 (0,79)	33,5 (1,32)	37 (1,46)	50,5 (1,99)	83 (3,27)	7,0 (0,28)	90	0,430 (0,946)
KF-018 DS	250 (550)	178 (7,01)	120 (4,72)	32 (1,26)	20 (0,79)	33,5 (1,32)	37 (1,46)	50,5 (1,99)	83 (3,27)	7,0 (0,28)	90	0,430 (0,946)
KF-018 RB	250 (550)	186 (7,32)	120 (4,72)	40 (1,57)	20 (0,79)	6,5 (0,26)	37 (1,46)	-	83 (3,27)	7,0 (0,28)	90	0,430 (0,946)
KF-018 RS	250 (550)	186 (7,32)	120 (4,72)	40 (1,57)	20 (0,79)	6,5 (0,26)	37 (1,46)	-	83 (3,27)	7,0 (0,28)	90	0,430 (0,946)
KF-016 DB	280 (616)	175 (6,89)	90 (3,54)	31,5 (1,24)	19,5 (0,77)	32,5 (1,28)	35 (1,38)	50 (1,97)	55 (2,17)	7,5 (0,30)	90	0,420 (0,924)
KF-016 DBL	260 (572)	175 (6,89)	137,4 (5,41)	31,5 (1,24)	19,5 (0,77)	32,5 (1,28)	35 (1,38)	50 (1,97)	102,4 (4,03)	7,5 (0,30)	90	0,440 (0,968)
KF-016 DS	310 (682)	175 (6,89)	137,4 (5,41)	31,5 (1,24)	19,5 (0,77)	32,5 (1,28)	35 (1,38)	50 (1,97)	102,4 (4,03)	7,5 (0,30)	90	0,440 (0,968)
KF-016 RB	280 (616)	183 (7,20)	90 (3,54)	39 (1,54)	19,5 (0,77)	6,7 (0,26)	35 (1,38)	-	55 (2,17)	7,5 (0,30)	90	0,420 (0,924)
KF-016 RBL	260 (572)	183 (7,20)	137,4 (5,41)	39 (1,54)	19,5 (0,77)	6,7 (0,26)	35 (1,38)	-	102,4 (4,03)	7,5 (0,30)	90	0,440 (0,968)
KF-016 RS	310 (682)	183 (7,20)	137,4 (5,41)	39 (1,54)	19,5 (0,77)	6,7 (0,26)	35 (1,38)	-	102,4 (4,03)	7,5 (0,30)	90	0,440 (0,968)
KF-011 DB	340 (749)	211 (8,31)	140 (5,51)	41 (1,61)	32 (1,26)	44 (1,73)	48 (1,89)	60 (2,36)	92 (3,62)	8,5 (0,33)	90	0,820 (1,804)
KF-011 DB TR	340 (749)	211 (8,31)	140 (5,51)	41 (1,61)	32 (1,26)	44 (1,73)	48 (1,89)	60 (2,36)	92 (3,62)	8,5 (0,33)	90	0,820 (1,804)
KF-011 DBL	315 (694)	211 (8,31)	166 (6,54)	41 (1,61)	32 (1,26)	44 (1,73)	48 (1,89)	60 (2,36)	118 (4,65)	8,5 (0,33)	90	0,850 (1,870)
KF-011 DBL TR	360 (793)	211 (8,31)	166 (6,54)	41 (1,61)	32 (1,26)	44 (1,73)	48 (1,89)	60 (2,36)	118 (4,65)	8,5 (0,33)	90	0,850 (1,870)
KF-011 DS	340 (749)	211 (8,31)	166 (6,54)	41 (1,61)	32 (1,26)	44 (1,73)	48 (1,89)	60 (2,36)	118 (4,65)	8,5 (0,33)	90	0,830 (1,826)
KF-011 RB	340 (749)	223 (8,78)	140 (5,51)	53 (2,09)	32 (1,26)	8 (0,31)	48 (1,89)	-	92 (3,62)	8,5 (0,33)	90	0,820 (1,804)
KF-011 RBL	315 (694)	223 (8,78)	166 (6,54)	53 (2,09)	32 (1,26)	8 (0,31)	48 (1,89)	-	118 (4,65)	8,5 (0,33)	90	0,850 (1,870)
KF-011 RS	360 (793)	223 (8,78)	166 (6,54)	53 (2,09)	32 (1,26)	8 (0,31)	48 (1,89)	-	118 (4,65)	8,5 (0,33)	90	0,830 (1,826)
KF-111 DB	680 (1496)	258 (10,16)	155 (6,10)	50 (1,97)	32 (1,26)	45 (1,77)	55 (2,17)	67 (2,64)	100 (3,94)	8,5 (0,33)	90	1,400 (3,080)
KF-111 DB TR	680 (1496)	258 (10,16)	155 (6,10)	50 (1,97)	32 (1,26)	45 (1,77)	55 (2,17)	67 (2,64)	100 (3,94)	8,5 (0,33)	90	1,400 (3,080)
KF-111 DBL	650 (1430)	258 (10,16)	200 (7,87)	50 (1,97)	32 (1,26)	45 (1,77)	55 (2,17)	67 (2,64)	145 (5,71)	8,5 (0,33)	90	1,440 (3,168)
KF-111 DBL TR	650 (1430)	258 (10,16)	200 (7,87)	50 (1,97)	32 (1,26)	45 (1,77)	55 (2,17)	67 (2,64)	145 (5,71)	8,5 (0,33)	90	1,440 (3,168)
KF-111 DS	700 (1540)	258 (10,16)	200 (7,87)	50 (1,97)	32 (1,26)	45 (1,77)	55 (2,17)	67 (2,64)	145 (5,71)	8,5 (0,33)	90	1,420 (3,124)
KF-111 RB	680 (1496)	268 (10,55)	155 (6,10)	60 (2,36)	32 (1,26)	9,5 (0,37)	55 (2,17)	-	100 (3,94)	8,5 (0,33)	90	1,400 (3,080)
KF-111 RBL	650 (1430)	268 (10,55)	200 (7,87)	60 (2,36)	32 (1,26)	9,5 (0,37)	55 (2,17)	-	145 (5,71)	8,5 (0,33)	90	1,440 (3,168)
KF-111 RS	700 (1540)	268 (10,55)	200 (7,87)	60 (2,36)	32 (1,26)	9,5 (0,37)	55 (2,17)	-	145 (5,71)	8,5 (0,33)	90	1,420 (3,124)

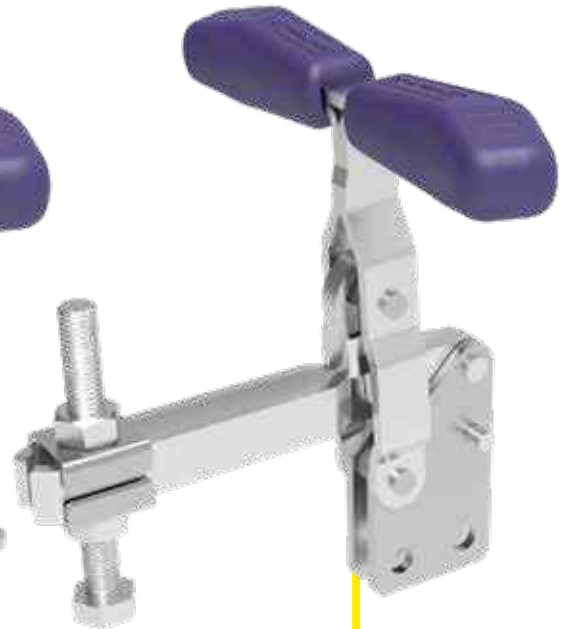
VERTICAL HOLD-DOWN TOGGLE CLAMP



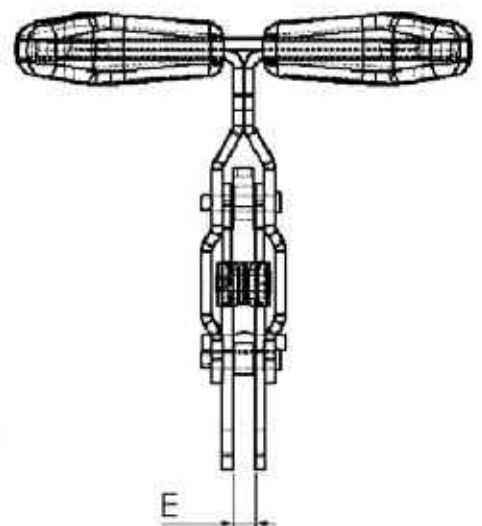
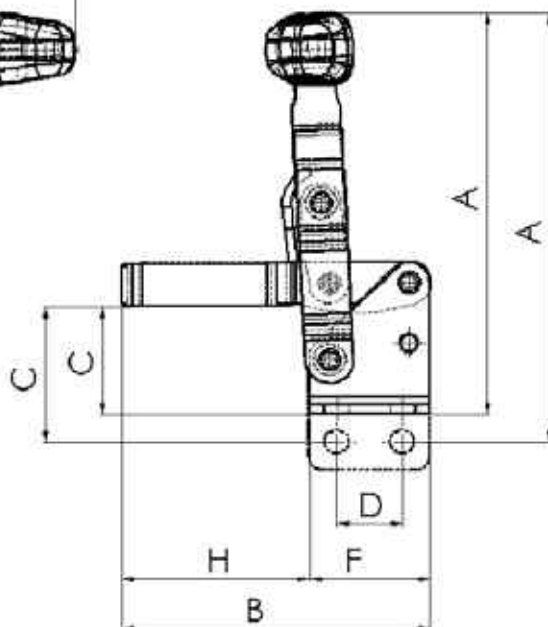
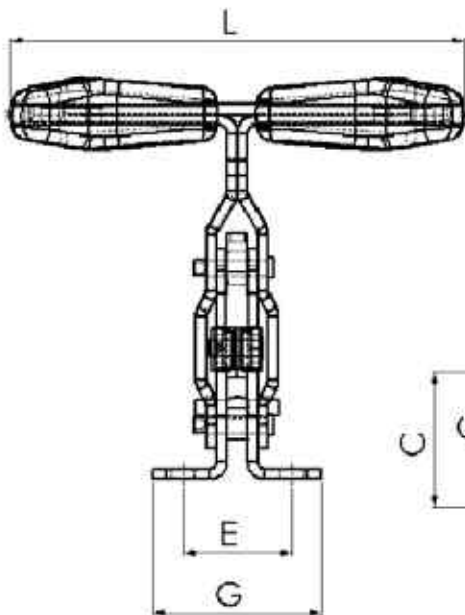
KF-017 DT



KF-017 DTS



KF-017 RTL



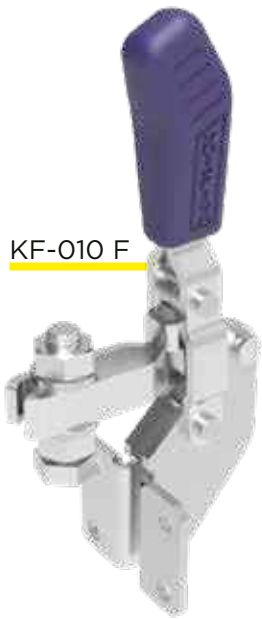
BASES
 D - Flanged base
 R - Straight Base

BAR
 S - Solid Bar
 L - Long U-Bar

CABLE
 T - Cable "T"

REFERENCE	RETENTION FORCE KGF (LBF)	A (IN)	B (IN)	C (IN)	D (IN)	E (IN)	F (IN)	G (IN)	H (IN)	J (IN)	L (IN)	OPENING ANGLE	WEIGHT KG (LB)
KF-017 DT	170 (374)	120 (4,72)	90 (3,54)	32 (1,26)	19 (0,75)	32 (1,26)	35 (1,38)	49 (1,93)	55 (2,17)	7,0 (0,28)	132 (5,20)	100	0,415 (0,913)
KF-017 DTL	150 (330)	120 (4,72)	120 (4,72)	32 (1,26)	19 (0,75)	32 (1,26)	35 (1,38)	49 (1,93)	85 (3,35)	7,0 (0,28)	132 (5,20)	100	0,415 (0,913)
KF-017 DTS	200 (440)	120 (4,72)	120 (4,72)	32 (1,26)	19 (0,75)	32 (1,26)	35 (1,38)	49 (1,93)	85 (3,35)	7,0 (0,28)	132 (5,20)	100	0,415 (0,913)
KF-017 RT	170 (374)	128 (5,04)	90 (3,54)	40 (1,57)	19 (0,75)	6,5 (0,26)	35 (1,38)	-	55 (2,17)	7,0 (0,28)	132 (5,20)	100	0,415 (0,913)
KF-017 RTL	150 (330)	128 (5,04)	120 (4,72)	40 (1,57)	19 (0,75)	6,5 (0,26)	35 (1,38)	-	85 (3,35)	7,0 (0,28)	132 (5,20)	100	0,415 (0,913)
KF-017 RTS	200 (440)	128 (5,04)	120 (4,72)	40 (1,57)	19 (0,75)	6,5 (0,26)	35 (1,38)	-	85 (3,35)	7,0 (0,28)	132 (5,20)	100	0,415 (0,913)

VERTICAL HOLD-DOWN TOGGLE CLAMP



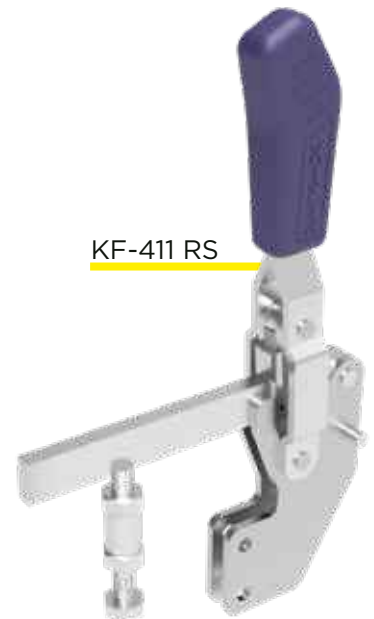
KF-010 F



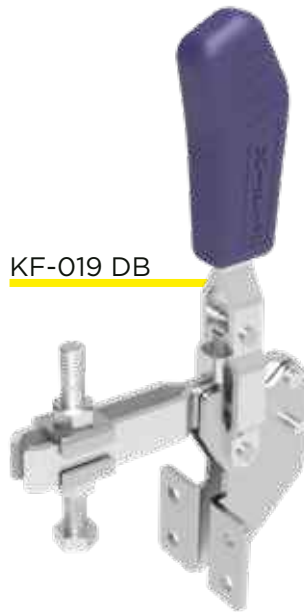
KF-311 RB



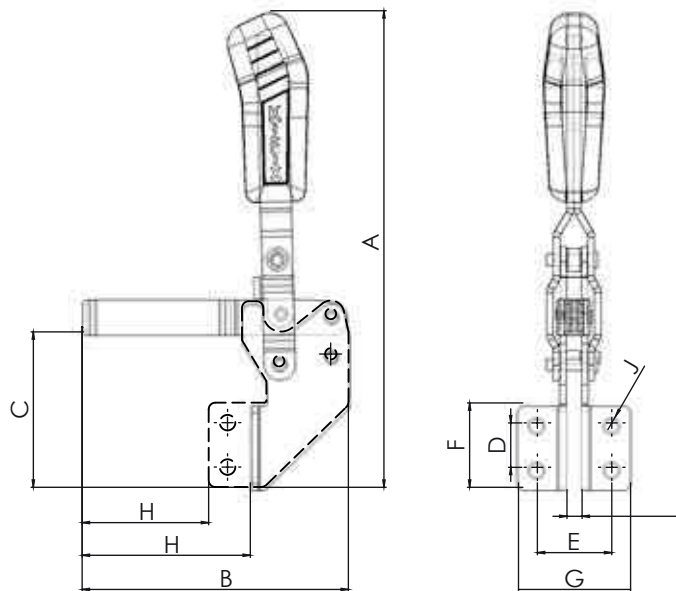
KF-211 DS



KF-411 RS



KF-019 DB

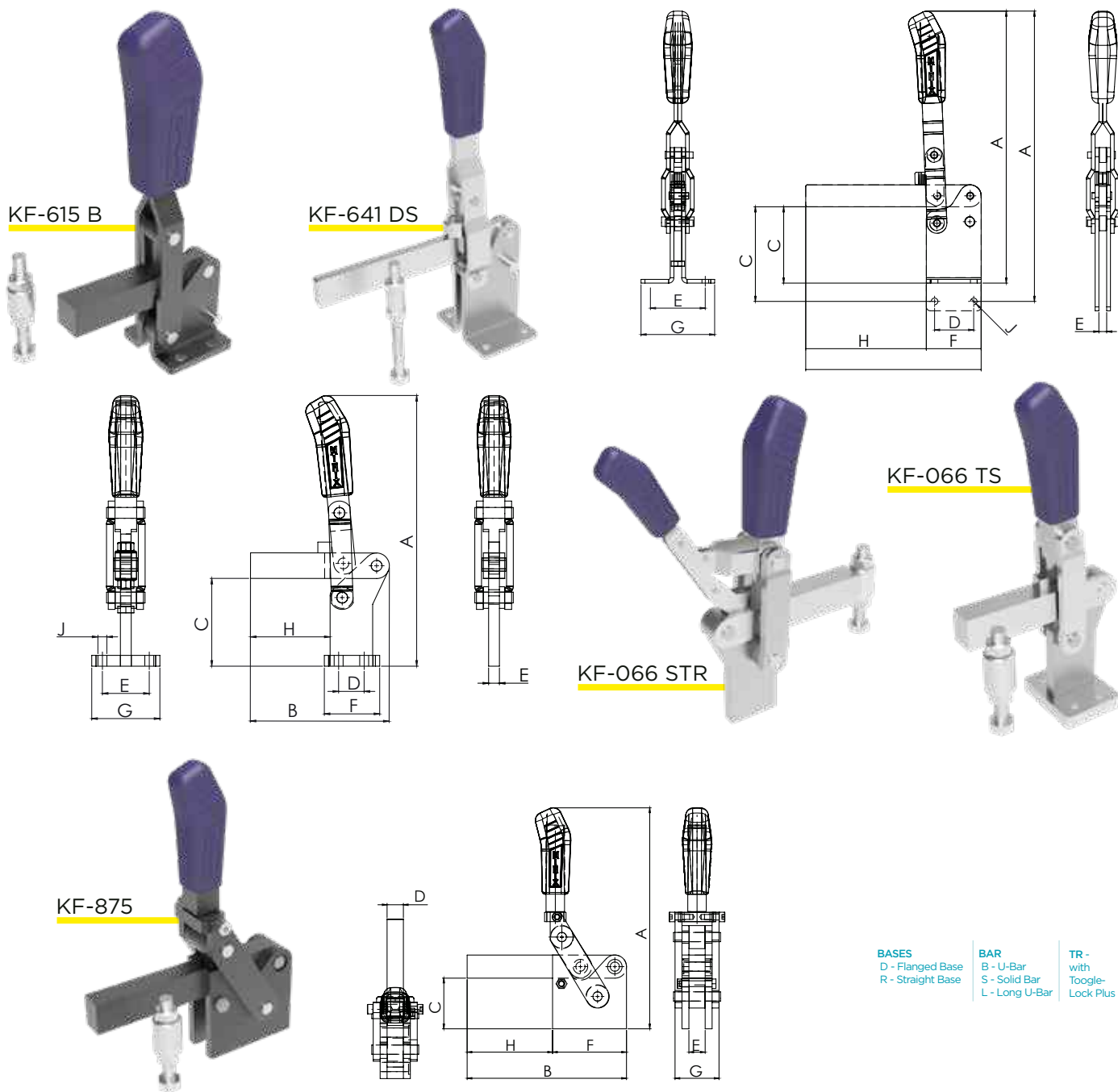


BASES
 D - Flanged Base
 R - Straight Base

BAR
 B - U - Bar
 S - Solid Bar
 L - Long U-Bar

REFERENCE	RETENTION FORCE KGF (LBF)	A (IN)	B (IN)	C (IN)	D (IN)	E (IN)	F (IN)	G (IN)	H (IN)	J (IN)	OPENING ANGLE	WEIGHT KG (LB)
KF-010 F	32 (70)	112 (4,41)	51 (2,01)	42 (1,65)	16 (0,63)	23,7 (0,93)	25 (0,98)	33 (1,30)	24 (0,94)	4,3 (0,17)	100	0,100 (0,220)
KF-012 F	90 (198)	149 (5,87)	70 (2,76)	47 (1,85)	12,7 (0,50)	27 (1,06)	25 (0,98)	40 (1,57)	41 (1,61)	5,5 (0,22)	100	0,230 (0,506)
KF-019 DB	250 (550)	215 (8,46)	120 (4,72)	70 (2,76)	20 (0,79)	33,5 (1,32)	38 (1,50)	50,5 (1,99)	76 (2,99)	7,0 (0,28)	100	0,500 (1,100)
KF-019 DS	250 (550)	215 (8,46)	120 (4,72)	70 (2,76)	20 (0,79)	33,5 (1,32)	38 (1,50)	50,5 (1,99)	76 (2,99)	7,0 (0,28)	100	0,500 (1,100)
KF-019 RB	250 (550)	215 (8,46)	120 (4,72)	70 (2,76)	20 (0,79)	6,5 (0,26)	38 (1,50)	-	57 (2,24)	7,0 (0,28)	100	0,500 (1,100)
KF-019 RS	250 (550)	215 (8,46)	120 (4,72)	70 (2,76)	20 (0,79)	6,5 (0,26)	38 (1,50)	-	57 (2,24)	7,0 (0,28)	100	0,500 (1,100)
KF-211 DB	150 (330)	207 (8,15)	120 (4,72)	65 (2,56)	19 (0,75)	32 (1,26)	35 (1,38)	46,5 (1,83)	79 (3,11)	7,0 (0,28)	100	0,480 (1,056)
KF-211 DS	200 (440)	207 (8,15)	120 (4,72)	65 (2,56)	19 (0,75)	32 (1,26)	35 (1,38)	46,5 (1,83)	79 (3,11)	7,0 (0,28)	100	0,480 (1,056)
KF-211 RB	150 (330)	207 (8,15)	120 (4,72)	65 (2,56)	19 (0,75)	6,5 (0,26)	35 (1,38)	-	69 (2,72)	7,0 (0,28)	100	0,480 (1,056)
KF-211 RS	200 (440)	207 (8,15)	120 (4,72)	65 (2,56)	19 (0,75)	6,5 (0,26)	35 (1,38)	-	69 (2,72)	7,0 (0,28)	100	0,480 (1,056)
KF-311 DB	250 (550)	260 (10,24)	166 (6,54)	90 (3,54)	32 (1,26)	44 (1,73)	49 (1,93)	60 (2,36)	106 (4,17)	8,5 (0,33)	100	0,960 (2,112)
KF-311 DS	300 (660)	260 (10,24)	166 (6,54)	90 (3,54)	32 (1,26)	44 (1,73)	49 (1,93)	60 (2,36)	106 (4,17)	8,5 (0,33)	100	0,930 (2,046)
KF-311 RB	250 (550)	260 (10,24)	166 (6,54)	90 (3,54)	32 (1,26)	8 (0,31)	49 (1,93)	-	97 (3,82)	8,5 (0,33)	100	0,960 (2,112)
KF-311 RB	250 (550)	260 (10,24)	166 (6,54)	90 (3,54)	32 (1,26)	8 (0,31)	49 (1,93)	-	97 (3,82)	8,5 (0,33)	100	0,960 (2,112)
KF-411 DB	650 (1430)	321 (12,64)	200 (7,87)	113 (4,45)	32 (1,26)	45 (1,77)	55 (2,17)	67 (2,64)	134 (5,28)	8,5 (0,33)	100	1,750 (3,850)
KF-411 DS	700 (1540)	321 (12,64)	200 (7,87)	113 (4,45)	32 (1,26)	45 (1,77)	55 (2,17)	67 (2,64)	134 (5,28)	8,5 (0,33)	100	1,700 (3,740)
KF-411 RB	650 (1430)	321 (12,64)	200 (7,87)	113 (4,45)	32 (1,26)	10 (0,39)	55 (2,17)	-	126 (4,96)	8,5 (0,33)	100	1,750 (3,850)
KF-411 RS	700 (1540)	321 (12,64)	200 (7,87)	113 (4,45)	32 (1,26)	10 (0,39)	55 (2,17)	-	126 (4,96)	8,5 (0,33)	100	1,700 (3,740)

VERTICAL HOLD-DOWN TOGGLE CLAMP



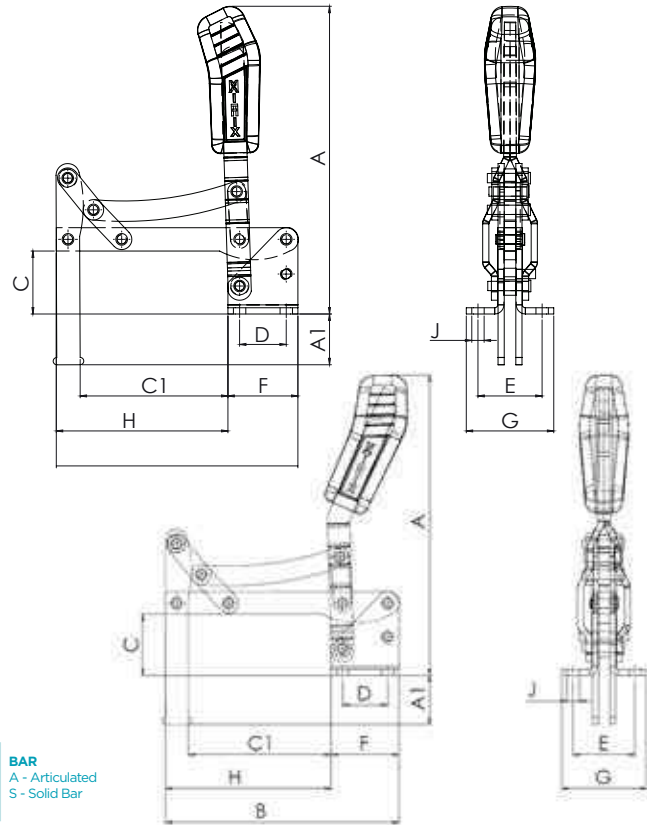
REFERENCE	RETENTION FORCE KGF (LBF)	A (IN)	B (IN)	C (IN)	D (IN)	E (IN)	F (IN)	G (IN)	H (IN)	J (IN)	OPENING ANGLE	WEIGHT KG (LB)
KF-615 B	340 (748)	215 (8,46)	108 (4,25)	42 (1,65)	25,4 (1,00)	38,1 (1,50)	50,8 (2,00)	50,8 (2,00)	57 (2,24)	7,0 (0,28)	125	0,920 (2,024)
KF-615 BL	340 (748)	215 (8,46)	191 (7,52)	42 (1,65)	25,4 (1,00)	38,1 (1,50)	50,8 (2,00)	50,8 (2,00)	140 (5,51)	7,0 (0,28)	125	0,920 (2,024)
KF-616 D	950 (2090)	249 (9,80)	155 (6,10)	50 (1,97)	32 (1,26)	45 (1,77)	53,5 (2,11)	67 (2,64)	101,5 (4,00)	7,0 (0,28)	125	1,350 (2,970)
KF-616 R	950 (2090)	257 (10,12)	155 (6,10)	58 (2,28)	32 (1,26)	9,5 (0,37)	53,5 (2,11)	-	101,5 (4,00)	7,0 (0,28)	125	1,350 (2,970)
KF-641 DB	800 (1760)	347 (13,66)	224 (8,82)	98 (3,86)	50 (1,97)	70 (2,76)	70 (2,76)	94 (3,70)	154 (6,06)	8,5 (0,33)	85	2,250 (4,950)
KF-641 RB	800 (1760)	371 (14,61)	224 (8,82)	121 (4,76)	50 (1,97)	10 (0,39)	70 (2,76)	-	154 (6,06)	8,5 (0,33)	85	2,250 (4,950)
KF-641 DS	800 (1760)	347 (13,66)	224 (8,82)	98 (3,86)	50 (1,97)	70 (2,76)	70 (2,76)	94 (3,70)	154 (6,06)	8,5 (0,33)	85	2,250 (4,950)
KF-641 RS	800 (1760)	371 (14,61)	224 (8,82)	121 (4,76)	50 (1,97)	10 (0,39)	70 (2,76)	-	154 (6,06)	8,5 (0,33)	85	2,250 (4,950)
KF-066 S	1400 (3080)	305 (12,01)	163 (6,42)	90 (3,54)	-	12,7 (0,50)	50 (1,97)	-	93 (3,66)	-	150	3,300 (7,260)
KF-066 STR	1400 (3080)	305 (12,01)	163 (6,42)	90 (3,54)	-	12,7 (0,50)	50 (1,97)	-	93 (3,66)	-	150	3,800 (8,360)
KF-066 TS	1400 (3080)	318 (12,52)	163 (6,42)	103 (4,06)	30 (1,18)	55 (2,17)	65 (2,56)	80 (3,15)	93 (3,66)	10,5 (0,41)	150	3,800 (8,360)
KF-066 TSTR	1400 (3080)	318 (12,52)	163 (6,42)	103 (4,06)	30 (1,18)	55 (2,17)	65 (2,56)	80 (3,15)	93 (3,66)	10,5 (0,41)	150	4,300 (9,460)
KF-845	1150 (2530)	246 (9,69)	190 (7,48)	56,2 (2,21)	19 (0,75)	19 (0,75)	82 (3,23)	50,9 (2,00)	108 (4,25)	-	120	3,350 (7,370)
KF-875	1800 (3960)	304 (11,97)	219 (8,62)	69,7 (2,74)	22,4 (0,88)	22,4 (0,88)	101,6 (4,00)	60,5 (2,38)	117,4 (4,62)	-	90	5,600 (12,320)

VERTICAL HOLD-DOWN TOGGLE CLAMP

KF-011 DS A

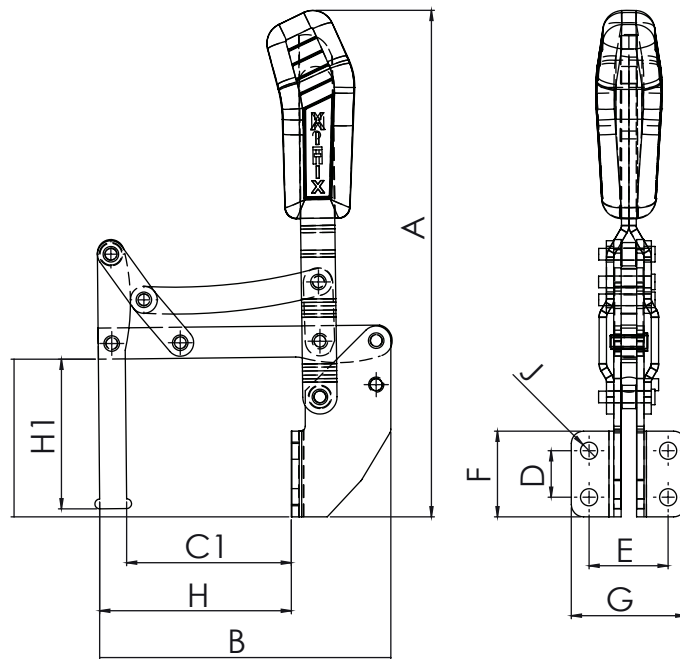
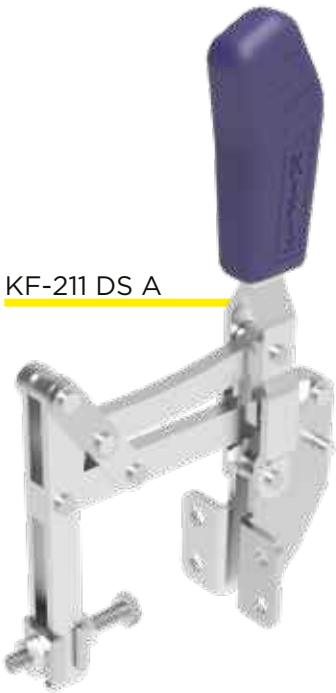


KF-011 DS A JD



REFERENCE	RETENTION FORCE KGF (LBF)	A (IN)	A1 (IN)	B (IN)	C (IN)	C1 (IN)	D (IN)	E (IN)	F (IN)	G (IN)	H (IN)	J (IN)	OPENING ANGLE	WEIGHT KG (LB)
KF-017 DS A	160 (352)	175 (6,89)	29 (1,14)	120 (4,72)	32 (1,26)	73 (2,87)	19 (0,75)	32 (1,26)	35 (1,38)	49 (1,93)	85 (3,35)	7,0 (0,28)	90	0,530 (1,166)
KF-017 DS A	160 (352)	175 (6,89)	29 (1,14)	120 (4,72)	32 (1,26)	73 (2,87)	19 (0,75)	32 (1,26)	35 (1,38)	49 (1,93)	85 (3,35)	7,0 (0,28)	90	0,530 (1,166)
KF-011 DS A JD	240 (528)	211 (8,31)	35 (1,38)	166 (6,54)	41 (1,61)	101 (3,98)	32 (1,26)	44 (1,73)	48 (1,89)	60 (2,36)	118 (4,65)	8,5 (0,33)	90	1,150 (2,530)
KF-111 DS A	560 (1232)	258 (10,16)	43 (1,69)	200 (7,87)	50 (1,97)	125 (4,92)	32 (1,26)	45 (1,77)	55 (2,17)	67 (2,64)	145 (5,71)	8,5 (0,33)	90	2,050 (4,510)

KF-211 DS A

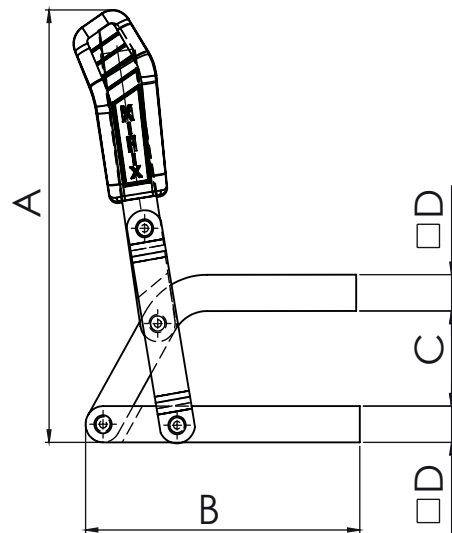
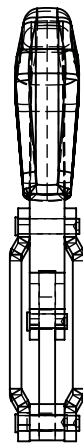


REFERENCE	RETENTION FORCE KGF (LBF)	A (IN)	B (IN)	C (IN)	C1 (IN)	D (IN)	E (IN)	F (IN)	G (IN)	H (IN)	H1 (IN)	J (IN)	OPENING ANGLE	WEIGHT KG (LB)
KF-211 DS A	160 (352)	207 (8,15)	120 (4,72)	65 (2,56)	67,5 (2,66)	19 (0,75)	32 (1,26)	35 (1,38)	46,5 (1,83)	79 (3,11)	61 (2,40)	7,0 (0,28)	100	0,560 (1,232)
KF-311 DS A	240 (528)	260 (10,24)	166 (6,54)	90 (3,54)	90 (3,54)	32 (1,26)	44 (1,73)	49 (1,93)	60 (2,36)	106 (4,17)	78 (3,07)	8,5 (0,33)	100	1,240 (2,728)
KF-411 DS A	560 (1232)	321 (12,64)	200 (7,87)	113 (4,45)	114 (4,49)	32 (1,26)	45 (1,77)	55 (2,17)	67 (2,64)	134 (5,28)	92 (3,62)	8,5 (0,33)	100	2,250 (4,950)

VERTICAL HOLD-DOWN TOGGLE CLAMP



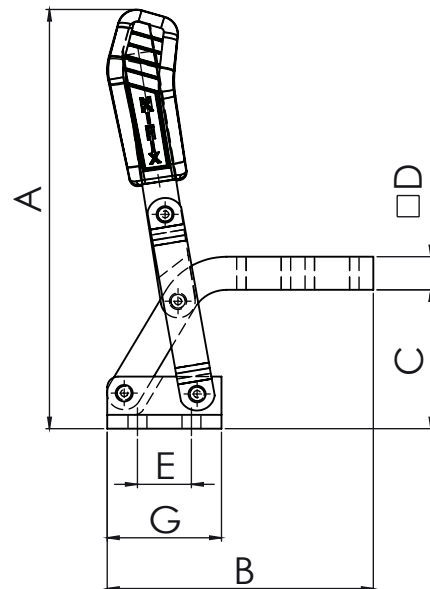
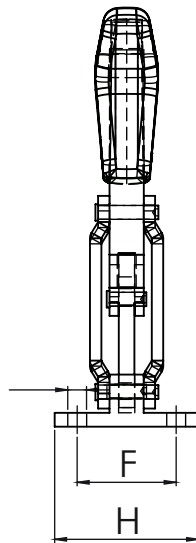
KF-MP



REFERENCE	RETENTION FORCE KGF (LBF)	A (IN)	B (IN)	C (IN)	D (IN)	OPENING ANGLE	WEIGHT KG (LB)
KF-01 MP	160 (352)	125 (4,92)	70 (2,76)	15 (0,59)	12,7 (0,50)	120	0,320 (0,704)
KF-02 MP	300 (660)	171 (6,73)	92 (3,62)	20 (0,79)	14,3 (0,56)	120	0,580 (1,276)
KF-03 MP	450 (990)	191 (7,52)	101 (3,98)	30 (1,18)	15,8 (0,62)	120	1,350 (2,970)
KF-05 MP	500 (1100)	227 (8,94)	150 (5,91)	50 (1,97)	19,1 (0,75)	120	2,040 (4,488)
KF-06 MP	500 (1100)	247 (9,72)	161 (6,34)	60 (2,36)	19,1 (0,75)	120	2,135 (4,697)
KF-09 MP	1800 (3960)	324 (12,76)	200 (7,87)	90 (3,54)	25,4 (1,00)	120	4,250 (9,350)

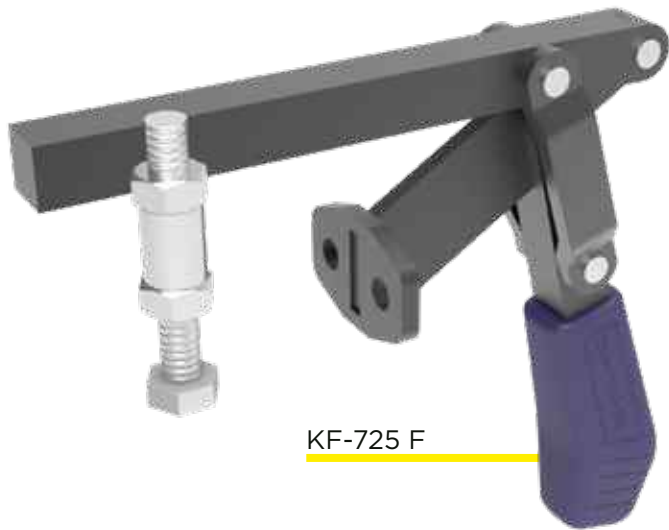


KF-JD

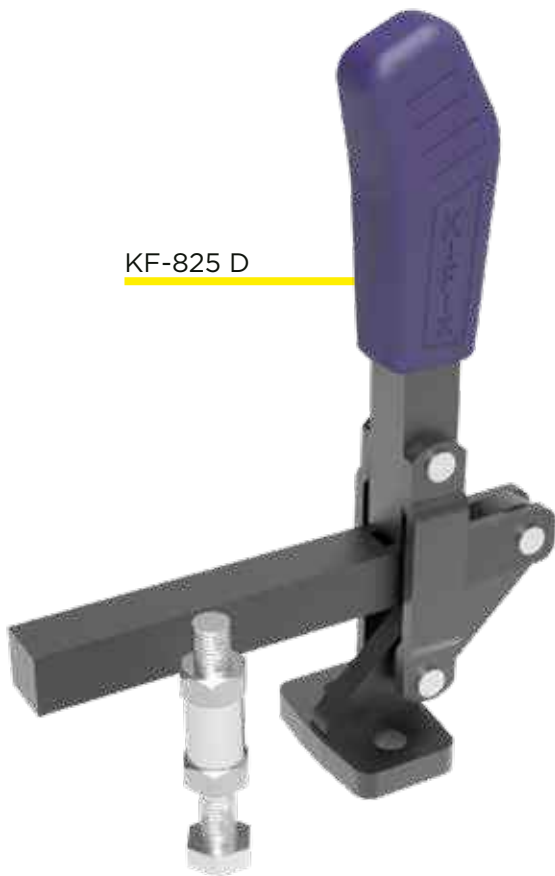
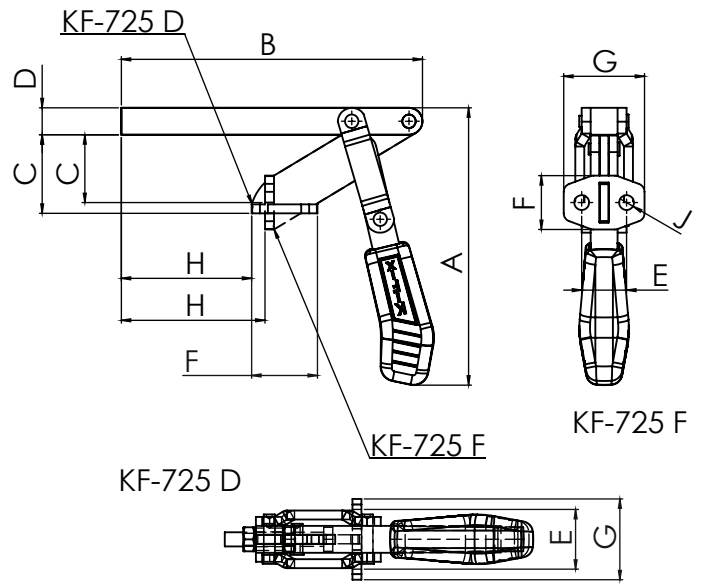


REFERENCE	RETENTION FORCE KGF (LBF)	A (IN)	B (IN)	C (IN)	D (IN)	E (IN)	F (IN)	G (IN)	H (IN)	J (IN)	OPENING ANGLE	WEIGHT KG (LB)
KF-03 JD	450 (990)	206 (8,11)	101 (3,98)	56 (2,20)	15,8 (0,62)	32 (1,26)	44 (1,73)	48 (1,89)	60 (2,36)	8,5 (0,33)	120	1,360 (2,992)
KF-05 JD	500 (1100)	241 (9,49)	148 (5,83)	80 (3,15)	19,1 (0,75)	30 (1,18)	55 (2,17)	63,5 (2,50)	80 (3,15)	10,5 (0,41)	120	2,100 (4,620)

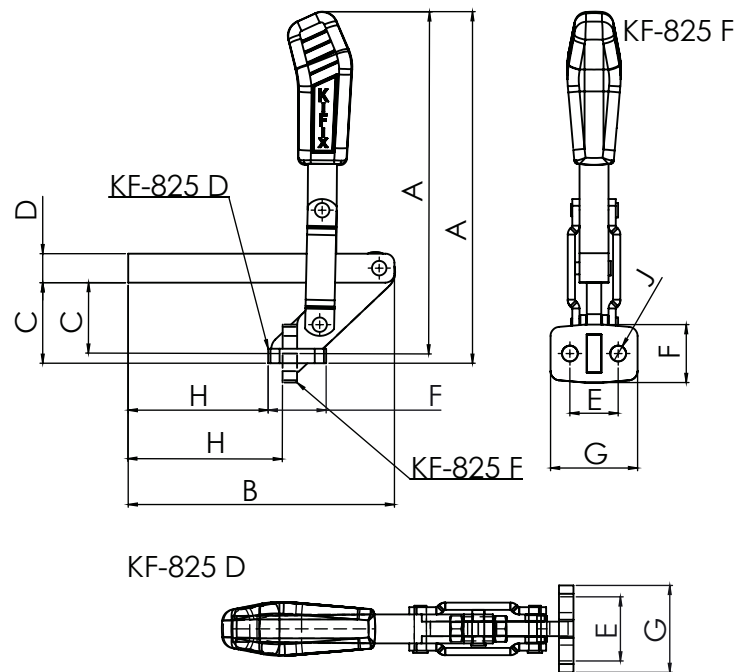
VERTICAL HOLD-DOWN TOGGLE CLAMP



KF-725 F



KF-825 D

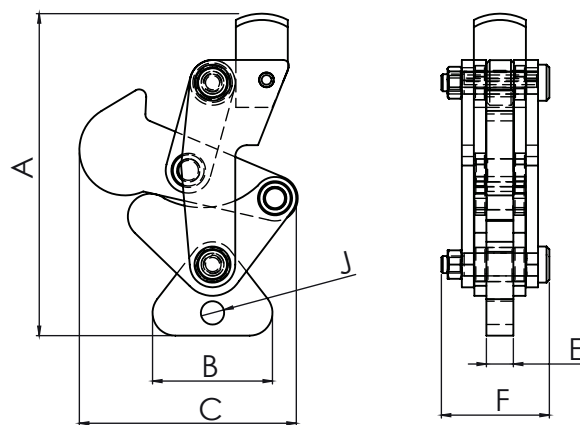


BASES
D - Flanged Base
F - Front

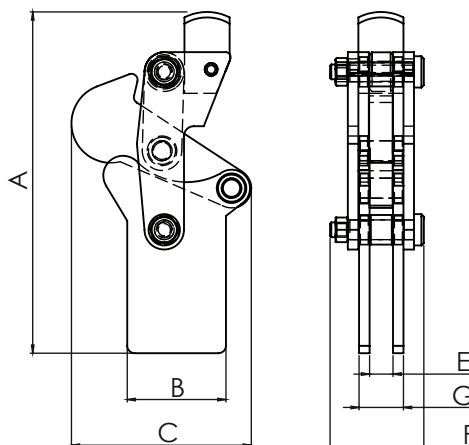
REFERENCE	RETENTION FORCE KGF (LBF)	A (IN)	B (IN)	C (IN)	D (IN)	E (IN)	F (IN)	G (IN)	H (IN)	J (IN)	OPENING ANGLE	WEIGHT KG (LB)
KF-725 D	450 (990)	196 (7,72)	213 (8,39)	55,6 (2,19)	19 (0,75)	32 (1,26)	38,1 (1,50)	57,2 (2,25)	92,2 (3,63)	10,5 (0,41)	195	2,030 (4,466)
KF-725 F	450 (990)	196 (7,72)	213 (8,39)	48 (1,89)	19 (0,75)	32 (1,26)	38,1 (1,50)	57,2 (2,25)	101,6 (4,00)	10,5 (0,41)	195	2,030 (4,466)
KF-825 D	450 (990)	231 (9,09)	175 (6,89)	53 (2,09)	19 (0,75)	32 (1,26)	38,1 (1,50)	57,2 (2,25)	92,2 (3,63)	10,5 (0,41)	195	1,850 (4,070)
KF-825 F	450 (990)	225 (8,86)	175 (6,89)	46,7 (1,84)	19 (0,75)	32 (1,26)	38,1 (1,50)	57,2 (2,25)	101,6 (4,00)	10,5 (0,41)	195	1,850 (4,070)

VERTICAL HOLD-DOWN TOGGLE CLAMP

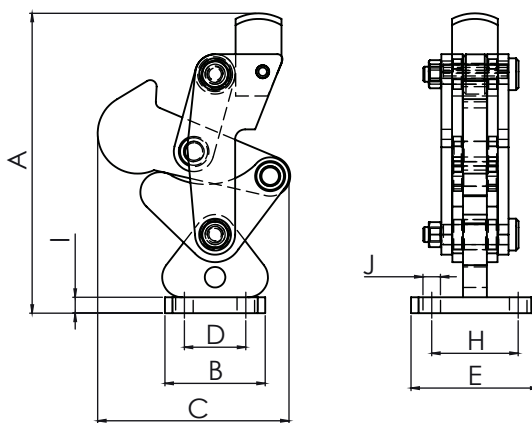
KFU A
Triangular Base



KFU D
T Base



KFU R
Double Straight Base



REFERENCE	RETENTION FORCE KGF (LBF)	A (IN)	B (IN)	C (IN)	D (IN)	E (IN)	F (IN)	G (IN)	H (IN)	I (IN)	J (IN)	OPENING ANGLE	WEIGHT KG (LB)
KFU-03 A	680 (1496)	105 (4,13)	42 (1,65)	72 (2,83)	-	9,5 (0,37)	42 (1,65)	-	-	-	8,5 (0,33)	200	0,670 (1,474)
KFU-03 D	680 (1496)	112 (4,41)	40 (1,57)	72 (2,83)	24,5 (0,96)	51 (2,01)	42 (1,65)	-	34,5 (1,36)	6,35 (0,25)	7	200	0,76
KFU-03 R	680 (1496)	130 (5,12)	40 (1,57)	68 (2,68)	-	9,5 (0,37)	42 (1,65)	18 (0,71)	-	-	-	200	0,730 (1,606)
KFU-05 A	1000 (2200)	145 (5,71)	60 (2,36)	98 (3,86)	-	12,7 (0,50)	47 (1,85)	-	-	-	10,5 (0,41)	200	1,170 (2,574)
KFU-05 D	1000 (2200)	153 (6,02)	55 (2,17)	98 (3,86)	31,5 (1,24)	64 (2,52)	47 (1,85)	-	45 (1,77)	8 (0,31)	8,5 (0,33)	200	1,380 (3,036)
KFU-05 R	1000 (2200)	170 (6,69)	50 (1,97)	92 (3,62)	-	12,7 (0,50)	47 (1,85)	22 (0,87)	-	-	-	200	1,240 (2,728)
KFU-06 A	2200 (4840)	176 (6,93)	70 (2,76)	118 (4,65)	-	15,9 (0,63)	66 (2,60)	-	-	-	12,5 (0,49)	200	2,720 (5,984)
KFU-06 D	2200 (4840)	186 (7,32)	70 (2,76)	118 (4,65)	40 (1,57)	80 (3,15)	66 (2,60)	-	50 (1,97)	9,5 (0,37)	10,5 (0,41)	200	3,110 (6,842)
KFU-06 R	2200 (4840)	211 (8,31)	65 (2,56)	114 (4,49)	-	15,9 (0,63)	66 (2,60)	29 (1,14)	-	-	-	200	2,900 (6,380)
KFU-08 A	2200 (4840)	247 (9,72)	84 (3,31)	177 (6,97)	-	19 (0,75)	72,5 (2,85)	-	-	-	13,0 (0,51)	200	6,440 (14,168)
KFU-08 D	3500 (7700)	260 (10,24)	100 (3,94)	177 (6,97)	70 (2,76)	150 (5,91)	72,5 (2,85)	-	120 (4,72)	12,7 (0,50)	10,5 (0,41)	200	7,830 (17,226)
KFU-08 R	3500 (7700)	273 (10,75)	80,6 (3,17)	177 (6,97)	-	19 (0,75)	72,5 (2,85)	35 (1,38)	-	-	-	200	6,270 (13,794)

HORIZONTAL HOLD-DOWN TOGG CLAMP

KF-105 D



KF-106 D



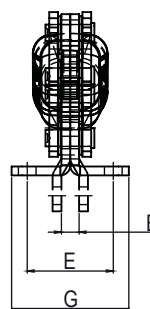
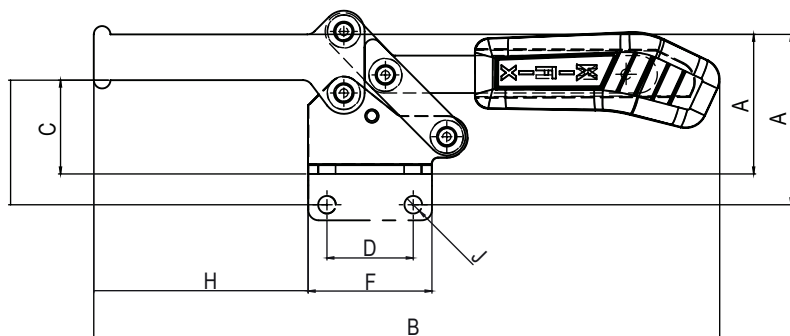
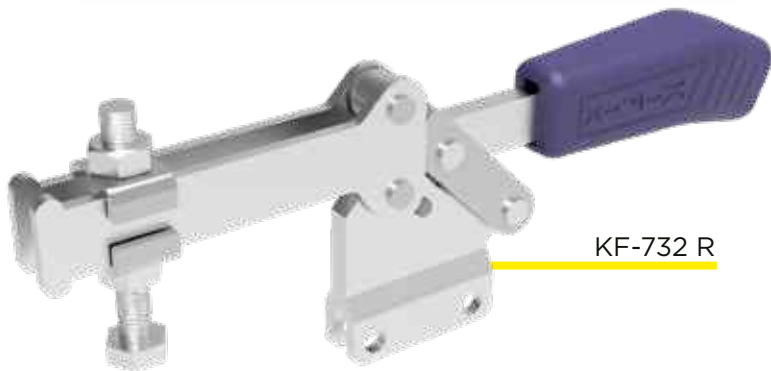
KF-105 DU



KF-107 D



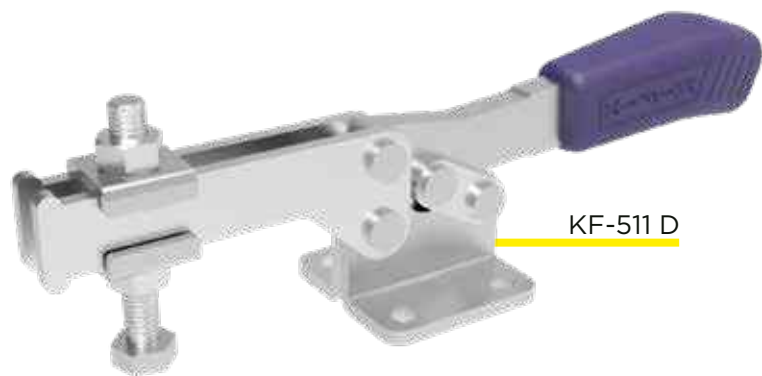
KF-732 R



BASES
 D - Flanged Base
 R - Straight Base
 DU - Flanged Only Base

REFERENCE	RETENTION FORCE KG (LBF)	A (IN)	B (IN)	C (IN)	D (IN)	E (IN)	F (IN)	G (IN)	H (IN)	J (IN)	OPENING ANGLE	WEIGHT KG (LB)
KF-105 D	30 (66)	18 (0,71)	64 (2,52)	8 (0,31)	13,5 (0,53)	16 (0,63)	24 (0,94)	24 (0,94)	18,6 (0,73)	4,3 (0,17)	90	0,030 (0,066)
KF-105 DU	30 (66)	21,3 (0,84)	64 (2,52)	8 (0,31)	13,5 (0,53)	8 (0,31)	24 (0,94)	12 (0,47)	18,6 (0,73)	4,3 (0,17)	90	0,030 (0,066)
KF-105 R	30 (66)	24 (0,94)	64 (2,52)	12 (0,47)	13,5 (0,53)	-	24 (0,94)	-	18,6 (0,73)	4,3 (0,17)	90	0,030 (0,066)
KF-106 D	70 (154)	35 (1,38)	112 (4,41)	20 (0,79)	13,5 (0,53)	18,3 (0,72)	25,5 (1,00)	28 (1,10)	35 (1,38)	4,5 (0,18)	90	0,095 (0,209)
KF-106 R	70 (154)	40 (1,57)	112 (4,41)	24 (0,94)	13,5 (0,53)	4 (0,16)	25,5 (1,00)	-	35 (1,38)	4,5 (0,18)	90	0,095 (0,209)
KF-107 D	70 (154)	45 (1,77)	136 (5,35)	22 (0,86)	12,7 (0,50)	12 (0,47)	26 (1,00)	35 (1,37)	51 (2,00)	5,5 (0,21)	70	0,180 (0,39)
KF-152 D	130 (286)	46 (1,81)	184 (7,24)	25 (0,98)	20 (0,79)	25,5 (1,00)	38 (1,50)	37 (1,46)	58 (2,28)	7,0 (0,28)	90	0,280 (0,616)
KF-152 R	130 (286)	54 (2,13)	184 (7,24)	32 (1,26)	20 (0,79)	6 (0,24)	38 (1,50)	-	58 (2,28)	7,0 (0,28)	90	0,280 (0,616)
KF-732 D	340 (748)	79 (3,11)	301 (11,85)	45 (1,77)	42 (1,65)	42 (1,65)	60 (2,36)	57 (2,24)	103 (4,06)	8,5 (0,33)	80	1,030 (2,266)
KF-732 R	340 (748)	93 (3,66)	301 (11,85)	60 (2,36)	42 (1,65)	8,5 (0,33)	60 (2,36)	-	103 (4,06)	8,5 (0,33)	80	1,030 (2,266)

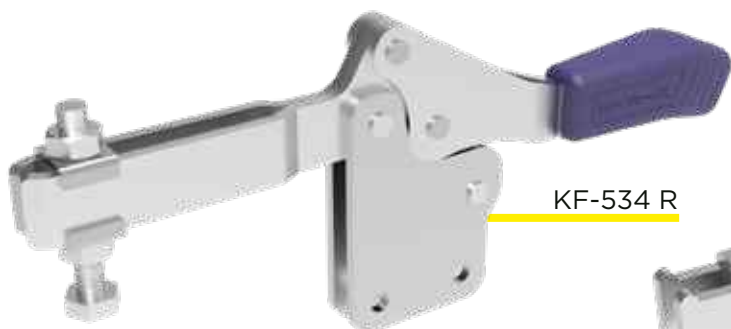
HORIZONTAL HOLD-DOWN TOGG CLAMP



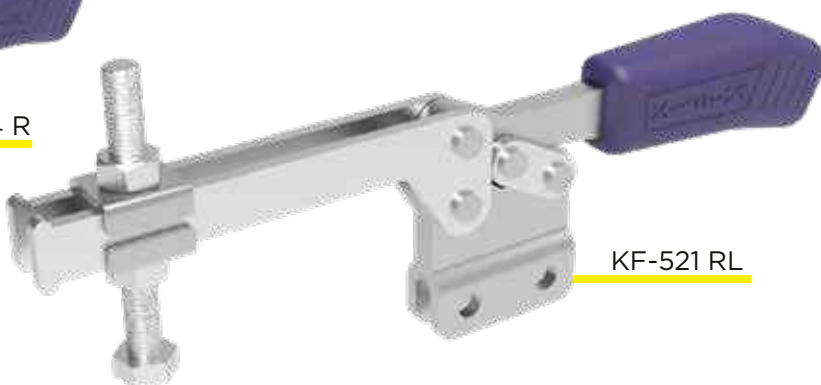
KF-511 D



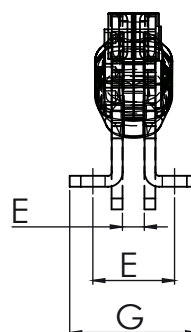
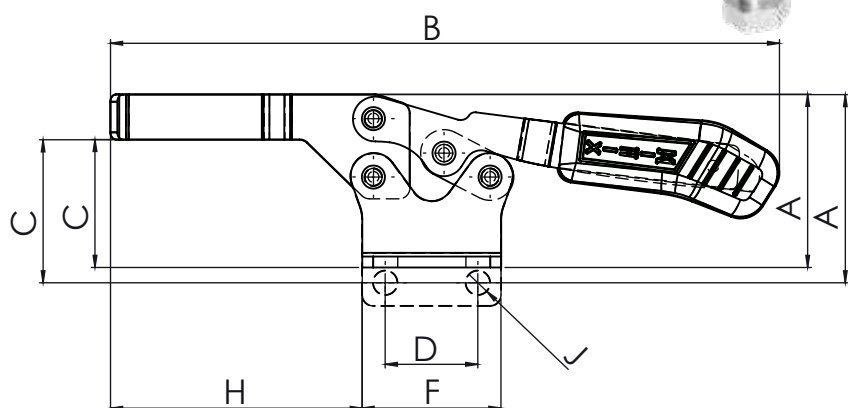
KF-522 RE



KF-534 R



KF-521 RL



BASES
D - Flanged Base
R - Straight Base
E - Front Base

BAR
L - Long U-Bar

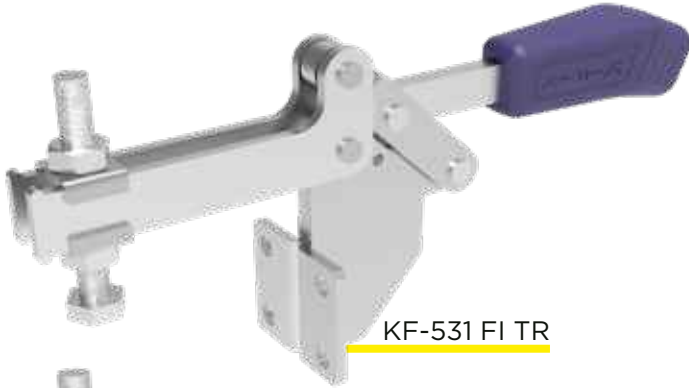
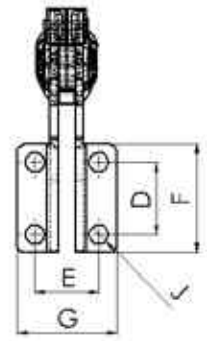
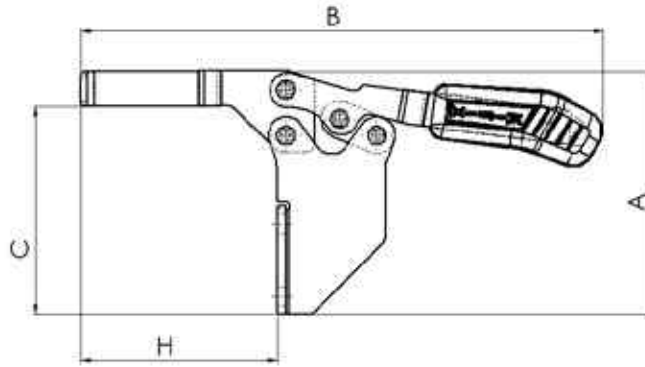
TR - with
Toggle-
Lock Plus

REFERENCE	RETENTION FORCE KGF (LBF)	A (IN)	B (IN)	C (IN)	D (IN)	E (IN)	F (IN)	G (IN)	H (IN)	J (IN)	OPENING ANGLE	WEIGHT KG (LB)
KF-511 D	90 (198)	47 (1,85)	172 (6,77)	26 (1,02)	24 (0,94)	26 (1,02)	36 (1,42)	37 (1,46)	59 (2,32)	5,5 (0,22)	70	0,240 (0,528)
KF-511 R	90 (198)	55 (2,17)	172 (6,77)	34 (1,34)	24 (0,94)	6,5 (0,26)	36 (1,42)	-	59 (2,32)	5,5 (0,22)	70	0,240 (0,528)
KF-512 D	90 (198)	39 (1,54)	146 (5,75)	26 (1,02)	25,4 (1,00)	22,4 (0,88)	37 (1,46)	35 (1,38)	57 (2,24)	5,3 (0,21)	90	0,150 (0,330)
KF-512 R	90 (198)	45 (1,77)	146 (5,75)	32 (1,26)	25,4 (1,00)	4,5 (0,18)	37 (1,46)	-	57 (2,24)	5,3 (0,21)	90	0,150 (0,330)
KF-521 D	130 (286)	51 (2,01)	208 (8,19)	36 (1,42)	25,4 (1,00)	24 (0,94)	45 (1,77)	42 (1,65)	68 (2,68)	7,0 (0,28)	70	0,440 (0,968)
KF-521 D TR	130 (286)	51 (2,01)	235 (9,25)	36 (1,42)	25,4 (1,00)	24 (0,94)	45 (1,77)	42 (1,65)	68 (2,68)	7,0 (0,28)	70	0,480 (1,056)
KF-521 DL	100 (220)	51 (2,01)	243 (9,57)	36 (1,42)	25,4 (1,00)	24 (0,94)	45 (1,77)	42 (1,65)	103 (4,06)	7,0 (0,28)	70	0,470 (1,034)
KF-521 R	130 (286)	57 (2,24)	208 (8,19)	42 (1,65)	25,4 (1,00)	6,5 (0,26)	45 (1,77)	-	68 (2,68)	7,0 (0,28)	70	0,440 (0,968)
KF-521 RL	100 (220)	57 (2,24)	243 (9,57)	42 (1,65)	25,4 (1,00)	6,5 (0,26)	45 (1,77)	-	103 (4,06)	7,0 (0,28)	70	0,470 (1,034)
KF-522 D	230 (506)	48 (1,89)	184 (7,24)	35 (1,38)	25,4 (1,00)	22,4 (0,88)	38 (1,50)	35 (1,38)	69 (2,72)	6,7 (0,26)	90	0,295 (0,649)
KF-522 R	230 (506)	52 (2,05)	184 (7,24)	39 (1,54)	25,4 (1,00)	6 (0,24)	38 (1,50)	-	69 (2,72)	6,7 (0,26)	90	0,295 (0,649)
KF-522 RE	230 (506)	52 (2,05)	184 (7,24)	39 (1,54)	25,4 (1,00)	0(0,00)	38 (1,50)	-	69 (2,72)	6,7 (0,26)	90	0,295 (0,649)
KF-532 D	340 (748)	65 (2,56)	294 (11,57)	45 (1,77)	41 (1,61)	42 (1,65)	57 (2,24)	58 (2,28)	105 (4,13)	8,5 (0,33)	90	0,860 (1,892)
KF-532 R	340 (748)	76 (2,99)	294 (11,57)	56 (2,20)	41 (1,61)	8,5 (0,33)	57 (2,24)	-	105 (4,13)	8,5 (0,33)	90	0,860 (1,892)
KF-532 D TR	340 (748)	65 (2,56)	294 (11,57)	45 (1,77)	41 (1,61)	42 (1,65)	57 (2,24)	58 (2,28)	105 (4,13)	8,5 (0,33)	90	0,920 (2,024)
KF-534 D	450 (990)	107,7 (4,24)	335 (13,19)	57,2 (2,25)	41,3 (1,63)	41,3 (1,63)	66,7 (2,63)	66,7 (2,63)	123,7 (4,87)	8,5 (0,33)	100	1,450 (3,190)
KF-534 R	450 (990)	116 (4,57)	335 (13,19)	65,4 (2,57)	41,3 (1,63)	9,5 (0,37)	66,7 (2,63)	-	123,7 (4,87)	8,5 (0,33)	100	1,450 (3,190)

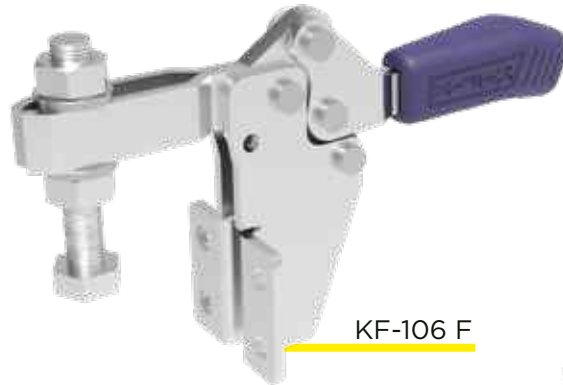
HORIZONTAL HOLD-DOWN TOGGLE CLAMP



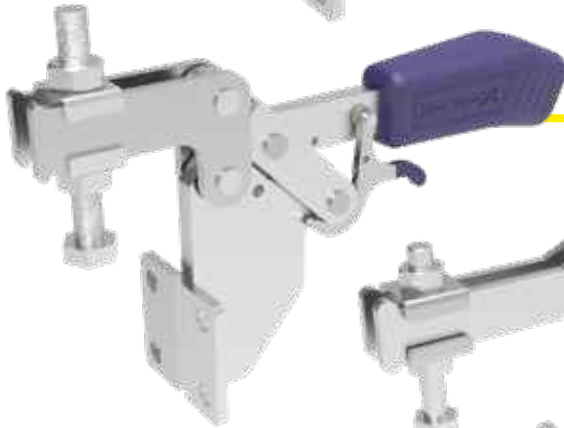
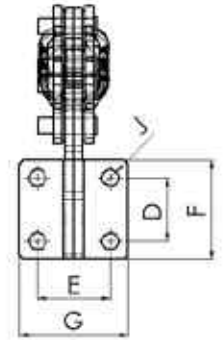
KF-522 F



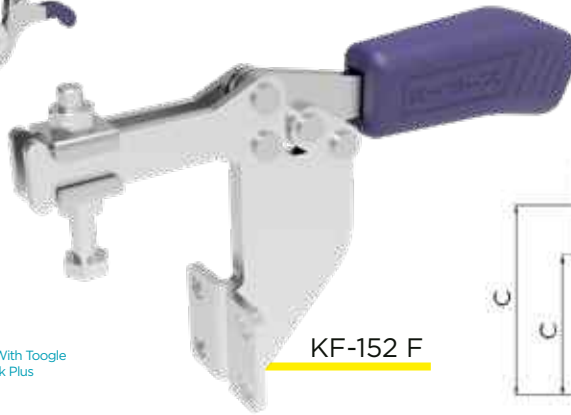
KF-531 FI TR



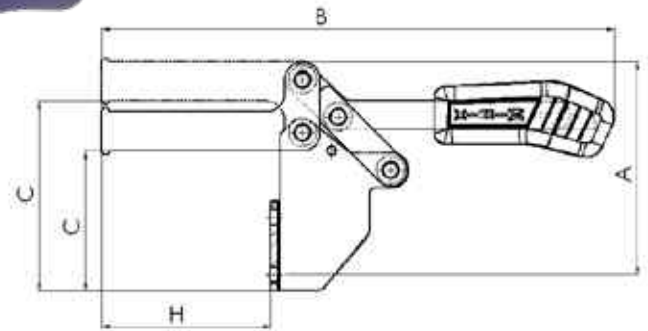
KF-106 F



KF-531 FL



KF-152 F



BASES
F - Front Base

BAR
L - Long U-Bar
I - Inverted

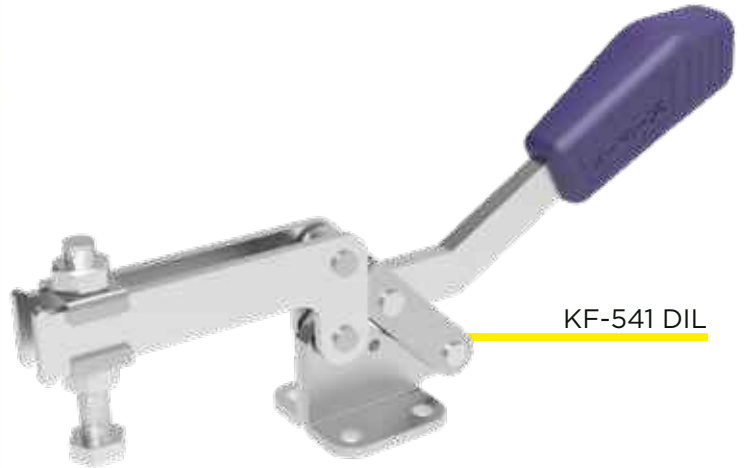
TR - With Toggle
- Lock Plus

REFERENCE	RETENTION FORCE KGF (LBF)	A (IN)	B (IN)	C (IN)	D (IN)	E (IN)	F (IN)	G (IN)	H (IN)	J (IN)	OPENING ANGLE	WEIGHT KG (LB)
KF-106 F	70 (154)	56 (2,20)	112 (4,41)	40 (1,57)	13,5 (0,53)	18,3 (0,72)	25,5 (1,00)	28 (1,10)	35 (1,38)	4,5 (0,18)	90	0,110 (0,242)
KF-107 F	70 (154)	74 (2,91)	127 (5,00)	31 (1,22)	12,7 (0,50)	22 (0,86)	25 (0,98)	35 (1,38)	47 (1,85)	5,5 (0,28)	90	0,200 (0,440)
KF-312 F	70 (154)	59 (2,32)	117 (4,60)	42 (1,65)	13,5 (0,53)	18,6 (0,73)	25,5 (1,00)	28 (1,10)	41 (1,61)	5 (0,18)	90	0,103 (0,227)
KF-152 FL	90 (198)	95 (3,74)	201 (7,91)	74 (2,91)	20 (0,78)	25,5 (1,00)	32 (1,25)	37 (1,45)	70 (2,75)	7,0 (0,27)	90	0,343 (0,756)
KF-152 F	130 (286)	95 (3,74)	184 (7,24)	74 (2,91)	20 (0,78)	25,5 (1,00)	35 (1,37)	37 (1,45)	52 (2,04)	7,0 (0,27)	90	0,340 (0,749)
KF-522 F	230 (506)	85 (3,35)	184 (7,24)	73 (2,87)	25,4 (1,00)	22,4 (0,88)	38 (1,50)	35 (1,38)	69 (2,72)	6,7 (0,26)	90	0,335 (0,737)
KF-522 FL	200 (440)	85 (3,35)	214 (8,43)	73 (2,87)	25,4 (1,00)	22,4 (0,88)	38 (1,50)	35 (1,38)	99 (3,90)	6,7 (0,26)	90	0,350 (0,770)
KF-531 F	400 (880)	119 (4,69)	245 (9,65)	78 (3,07)	32 (1,26)	37 (1,46)	50 (1,97)	55 (2,17)	52 (2,05)	8,5 (0,33)	80	1,035 (2,277)
KF-531 FI	400 (880)	119 (4,69)	245 (9,65)	106 (4,17)	32 (1,26)	37 (1,46)	50 (1,97)	55 (2,17)	52 (2,05)	8,5 (0,33)	80	1,035 (2,277)
KF-531 FL	300 (660)	119 (4,69)	287 (11,30)	78 (3,07)	32 (1,26)	37 (1,46)	50 (1,97)	55 (2,17)	95 (3,74)	8,5 (0,33)	80	1,095 (2,409)
KF-531 FIL	300 (660)	119 (4,69)	287 (11,30)	106 (4,17)	32 (1,26)	37 (1,46)	50 (1,97)	55 (2,17)	95 (3,74)	8,5 (0,33)	80	1,095 (2,409)
KF-531 F TR	400 (880)	119 (4,69)	245 (9,65)	78 (3,07)	32 (1,26)	37 (1,46)	50 (1,97)	55 (2,17)	52 (2,05)	8,5 (0,33)	80	1,070 (2,354)
KF-531 FI TR	400 (880)	119 (4,69)	245 (9,65)	106 (4,17)	32 (1,26)	37 (1,46)	50 (1,97)	55 (2,17)	52 (2,05)	8,5 (0,33)	80	1,070 (2,354)
KF-531 FL TR	300 (660)	119 (4,69)	287 (11,30)	78 (3,07)	32 (1,26)	37 (1,46)	50 (1,97)	55 (2,17)	95 (3,74)	8,5 (0,33)	80	1,130 (2,486)
KF-531 FIL TR	300 (660)	119 (4,69)	287 (11,30)	106 (4,17)	32 (1,26)	37 (1,46)	50 (1,97)	55 (2,17)	95 (3,74)	8,5 (0,33)	80	1,130 (2,486)

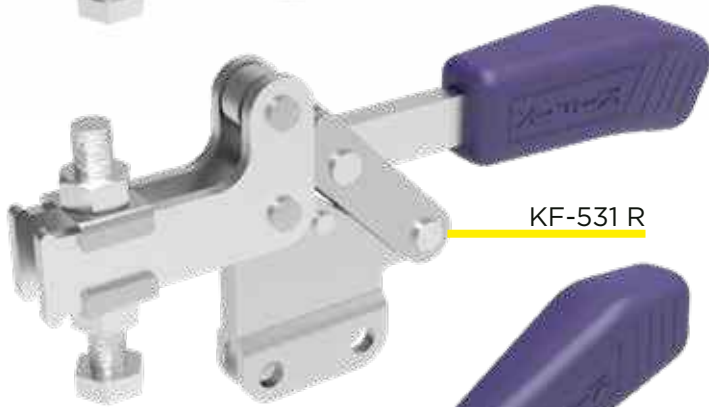
HORIZONTAL HOLD-DOWN TOGGLE CLAMP



KF-531 D TR



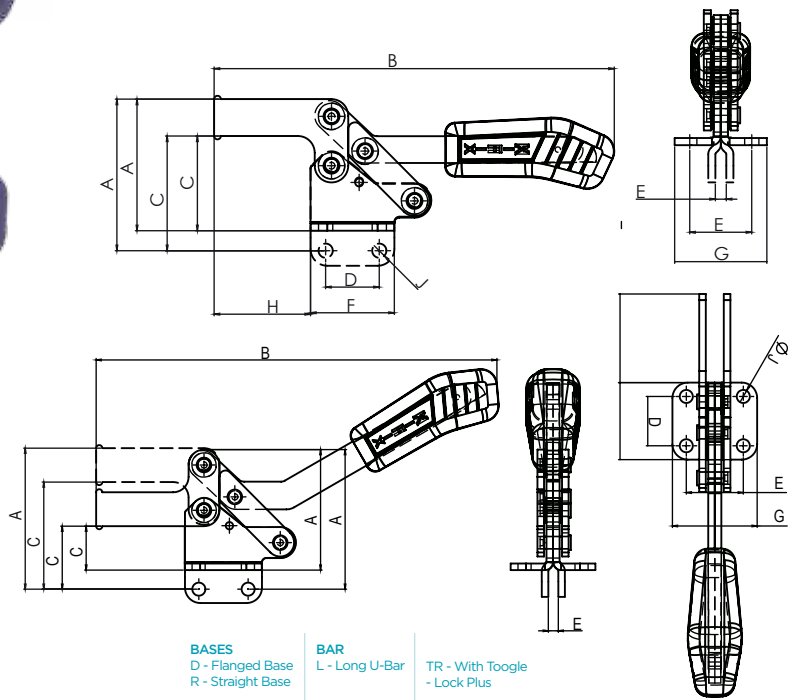
KF-541 DIL



KF-531 R

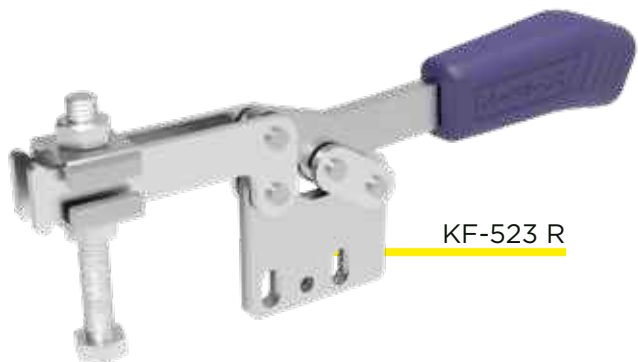


KF-541 D

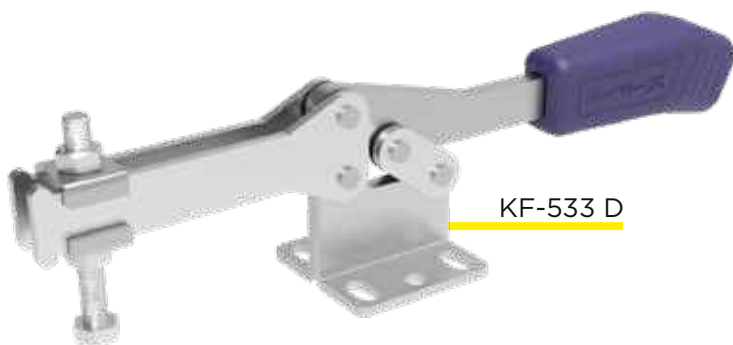


REFERENCE	RETENTION FORCE KGF (LBF)	A (IN)	B (IN)	C (IN)	D (IN)	E (IN)	F (IN)	G (IN)	H (IN)	J (IN)	OPENING ANGLE	WEIGHT KG (LB)
KF-531 D	400 (880)	78 (3,07)	239 (9,41)	28 (1,10)	32 (1,26)	37 (1,46)	50 (1,97)	55 (2,17)	57 (2,24)	8,5 (0,33)	80	0,870 (1,914)
KF-531 DI	400 (880)	78 (3,07)	239 (9,41)	56 (2,20)	32 (1,26)	37 (1,46)	50 (1,97)	55 (2,17)	57 (2,24)	8,5 (0,33)	80	0,870 (1,914)
KF-531 R	400 (880)	91 (3,58)	239 (9,41)	41 (1,61)	32 (1,26)	6,5 (0,26)	50 (1,97)	-	57 (2,24)	8,5 (0,33)	80	0,870 (1,914)
KF-531 RI	400 (880)	91 (3,58)	239 (9,41)	69 (2,72)	32 (1,26)	6,5 (0,26)	50 (1,97)	-	57 (2,24)	8,5 (0,33)	80	0,870 (1,914)
KF-531 DL	300 (660)	78 (3,07)	281 (11,06)	28 (1,10)	32 (1,26)	37 (1,46)	50 (1,97)	55 (2,17)	100 (3,94)	8,5 (0,33)	80	0,940 (2,068)
KF-531 DIL	300 (660)	78 (3,07)	281 (11,06)	56 (2,20)	32 (1,26)	37 (1,46)	50 (1,97)	55 (2,17)	100 (3,94)	8,5 (0,33)	80	0,940 (2,068)
KF-531 RL	300 (660)	91 (3,58)	281 (11,06)	41 (1,61)	32 (1,26)	6,5 (0,26)	50 (1,97)	-	100 (3,94)	8,5 (0,33)	80	0,940 (2,068)
KF-531 RIL	300 (660)	91 (3,58)	281 (11,06)	69 (2,72)	32 (1,26)	6,5 (0,26)	50 (1,97)	-	100 (3,94)	8,5 (0,33)	80	0,940 (2,068)
KF-531 D TR	400 (880)	78 (3,07)	245 (9,65)	28 (1,10)	32 (1,26)	37 (1,46)	50 (1,97)	55 (2,17)	57 (2,24)	8,5 (0,33)	80	0,920 (2,024)
KF-531 DI TR	400 (880)	78 (3,07)	245 (9,65)	56 (2,20)	32 (1,26)	37 (1,46)	50 (1,97)	55 (2,17)	57 (2,24)	8,5 (0,33)	80	0,920 (2,024)
KF-531 DL TR	300 (660)	78 (3,07)	287 (11,30)	28 (1,10)	32 (1,26)	37 (1,46)	50 (1,97)	55 (2,17)	100 (3,94)	8,5 (0,33)	80	0,980 (2,156)
KF-531 DIL TR	300 (660)	78 (3,07)	287 (11,30)	56 (2,20)	32 (1,26)	37 (1,46)	50 (1,97)	55 (2,17)	100 (3,94)	8,5 (0,33)	80	0,980 (2,156)
KF-541 D	400 (880)	78 (3,07)	261 (10,28)	28 (1,10)	32 (1,26)	37 (1,46)	50 (1,97)	55 (2,17)	57 (2,24)	8,5 (0,33)	80	0,920 (2,024)
KF-541 DI	400 (880)	78 (3,07)	261 (10,28)	56 (2,20)	32 (1,26)	37 (1,46)	50 (1,97)	55 (2,17)	57 (2,24)	8,5 (0,33)	80	0,920 (2,024)
KF-541 R	400 (880)	91 (3,58)	261 (10,28)	41 (1,61)	32 (1,26)	6,5 (0,26)	50 (1,97)	-	57 (2,24)	8,5 (0,33)	80	0,920 (2,024)
KF-541 RI	400 (880)	91 (3,58)	261 (10,28)	69 (2,72)	32 (1,26)	6,5 (0,26)	50 (1,97)	-	57 (2,24)	8,5 (0,33)	80	0,920 (2,024)
KF-541 DL	300 (660)	78 (3,07)	304 (11,97)	28 (1,10)	32 (1,26)	37 (1,46)	50 (1,97)	55 (2,17)	100 (3,94)	8,5 (0,33)	80	0,960 (2,112)
KF-541 DIL	300 (660)	78 (3,07)	304 (11,97)	56 (2,20)	32 (1,26)	37 (1,46)	50 (1,97)	55 (2,17)	100 (3,94)	8,5 (0,33)	80	0,960 (2,112)
KF-541 RL	300 (660)	91 (3,58)	304 (11,97)	41 (1,61)	32 (1,26)	6,5 (0,26)	50 (1,97)	-	100 (3,94)	8,5 (0,33)	80	0,960 (2,112)
KF-541 RIL	300 (660)	91 (3,58)	304 (11,97)	69 (2,72)	32 (1,26)	6,5 (0,26)	50 (1,97)	-	100 (3,94)	8,5 (0,33)	80	0,960 (2,112)

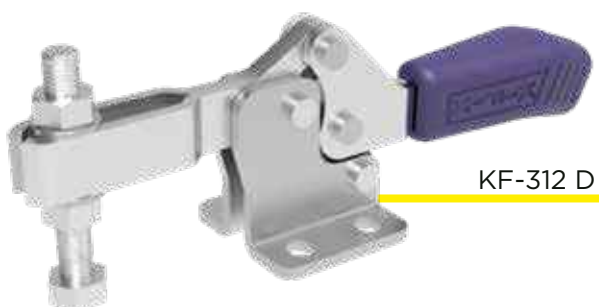
HORIZONTAL HOLD-DOWN TOGGLE CLAMP



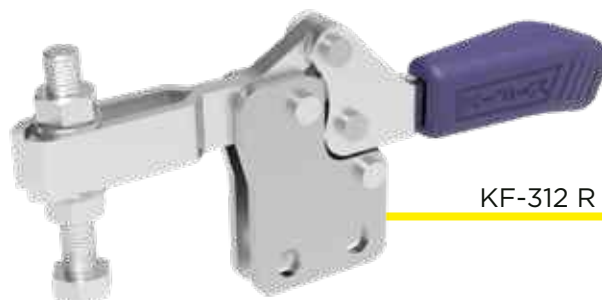
KF-523 R



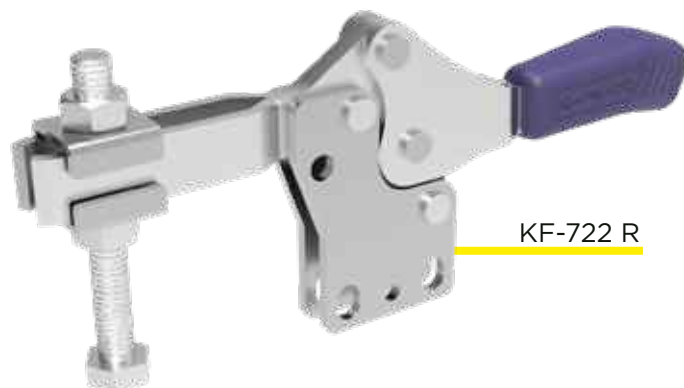
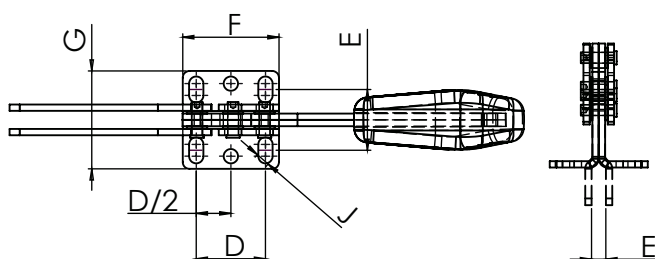
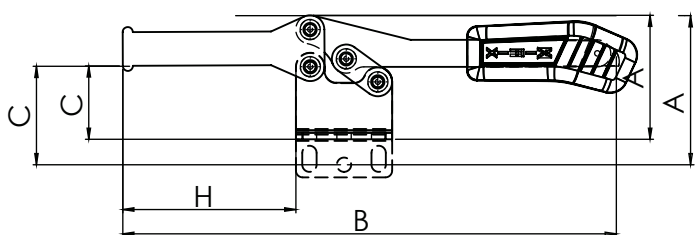
KF-533 D



KF-312 D



KF-312 R

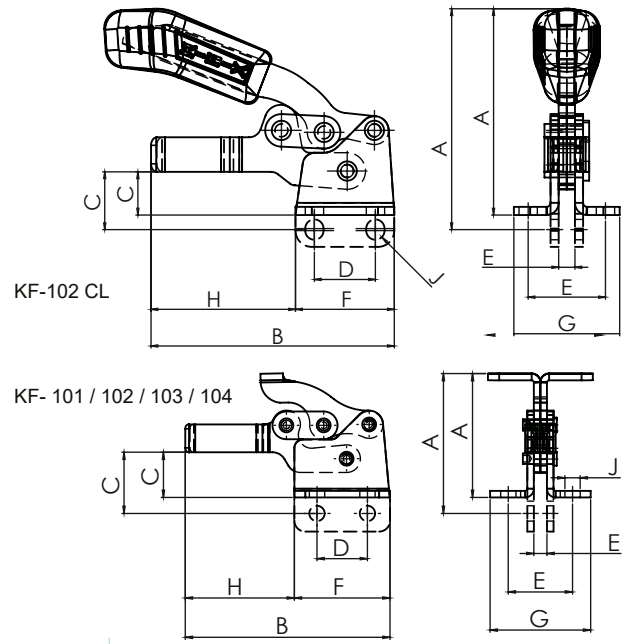


KF-722 R

BASES
D - Flanged Base
R - Straight Base

REFERENCE	RETENTION FORCE KGF (LBF)	A (IN)	B (IN)	C (IN)	D (IN)	E (IN)	F (IN)	G (IN)	H (IN)	J (IN)	OPENING ANGLE	WEIGHT KG (LB)
KF-312 D	70 (154)	35 (1,38)	112 (4,41)	19 (0,75)	13,5 (0,53)	17,3 (0,68)	25,4 (1,00)	27,2 (1,07)	36 (1,42)	4,3 (0,17)	90	0,085 (0,187)
KF-312 R	70 (154)	39 (1,54)	112 (4,41)	23 (0,91)	13,5 (0,53)	4,2 (0,17)	25,4 (1,00)	-	36 (1,42)	4,3 (0,17)	90	0,085 (0,187)
KF-712 D	120 (264)	50 (1,97)	183 (7,20)	26 (1,02)	26,2 (1,03)	26,1 (1,03)	37,3 (1,47)	40 (1,57)	59 (2,32)	5,5 (0,22)	90	0,205 (0,451)
KF-712 R	120 (264)	64 (2,52)	183 (7,20)	35 (1,38)	26,2 (1,03)	5,2 (0,20)	37,3 (1,47)	-	59 (2,32)	5,5 (0,22)	90	0,205 (0,451)
KF-523 D	180 (396)	57 (2,24)	221 (8,70)	33 (1,30)	25,7 (1,01)	26,9 (1,06)	50 (1,97)	44,5 (1,75)	66 (2,60)	6,5 (0,26)	90	0,410 (0,902)
KF-523 R	180 (396)	74 (2,91)	221 (8,70)	41 (1,61)	25,7 (1,01)	-	50 (1,97)	-	66 (2,60)	6,5 (0,26)	90	0,410 (0,902)
KF-722 D	230 (506)	61 (2,40)	192 (7,56)	34 (1,34)	26,2 (1,03)	28,4 (1,12)	39,6 (1,56)	43,2 (1,70)	68,5 (2,70)	7,0 (0,28)	90	0,355 (0,781)
KF-722 R	230 (506)	70 (2,76)	192 (7,56)	42 (1,65)	26,2 (1,03)	6,2 (0,24)	39,6 (1,56)	-	68,5 (2,70)	7,0 (0,28)	90	0,355 (0,781)
KF-533 D	340 (748)	73,5 (2,89)	305 (12,01)	43,5 (1,71)	41 (1,61)	36 (1,42)	57 (2,24)	58 (2,28)	102,5 (4,04)	8,5 (0,33)	90	0,800 (1,760)
KF-533 R	340 (748)	88,3 (3,48)	305 (12,01)	58,3 (2,30)	41 (1,61)	8,5 (0,33)	57 (2,24)	-	102,5 (4,04)	8,5 (0,33)	90	0,800 (1,760)

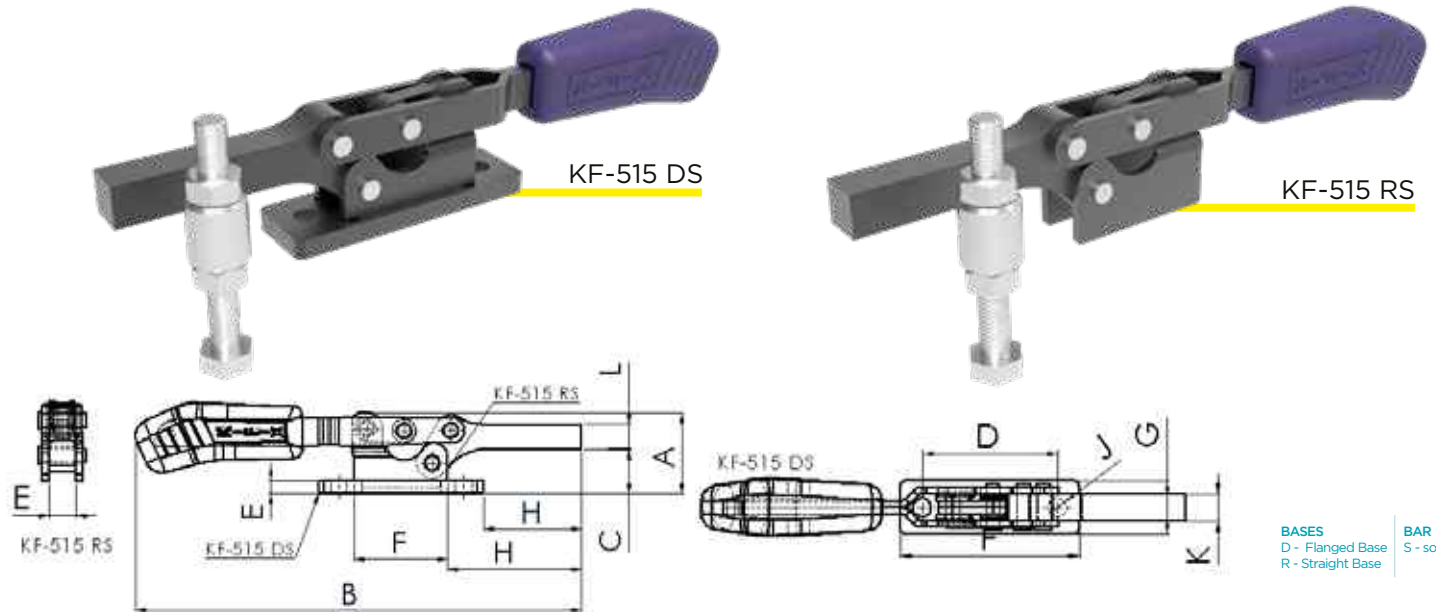
HORIZONTAL HOLD-DOWN TOGGLE CLAMP



BASES
 D - Flanged Base
 R - Straight Base

BAR
 CL - Long Handle
 TR - With Toggle Lock Plus

REFERENCE	RETENTION FORCE KGF (LBF)	A (IN)	B (IN)	C (IN)	D (IN)	E (IN)	F (IN)	G (IN)	H (IN)	J (IN)	OPENING ANGLE	WEIGHT KG (LB)
KF-102 D	50 (110)	38 (1,50)	60 (2,36)	11 (0,43)	15 (0,59)	19 (0,75)	24 (0,94)	26 (1,02)	36 (1,42)	4,5 (0,18)	75	0,075 (0,165)
KF-102 R	50 (110)	42 (1,65)	60 (2,36)	14 (0,55)	15 (0,59)	4 (0,16)	24 (0,94)	-	36 (1,42)	4,5 (0,18)	75	0,075 (0,165)
KF-102 D CL	50 (110)	54 (2,13)	80 (3,15)	11 (0,43)	15 (0,59)	19 (0,75)	24 (0,94)	26 (1,02)	36 (1,42)	4,5 (0,18)	75	0,085 (0,187)
KF-102 R CL	50 (110)	58 (2,28)	80 (3,15)	14 (0,55)	15 (0,59)	4 (0,16)	24 (0,94)	-	36 (1,42)	4,5 (0,18)	75	0,085 (0,187)
KF-101 D	65 (143)	40 (1,57)	61 (2,40)	12,2 (0,48)	13,5 (0,53)	16 (0,63)	26 (1,02)	26 (1,02)	35 (1,38)	4,5 (0,18)	75	0,075 (0,165)
KF-101 R	65 (143)	43 (1,69)	61 (2,40)	15 (0,59)	13,5 (0,53)	4 (0,16)	26 (1,02)	-	35 (1,38)	4,5 (0,18)	75	0,075 (0,165)
KF-103 D	75 (165)	57 (2,24)	94 (3,70)	21 (0,83)	23 (0,91)	29 (1,14)	44 (1,73)	46 (1,81)	50 (1,97)	7,0 (0,28)	85	0,260 (0,572)
KF-103 D TR	75 (165)	57 (2,24)	94 (3,70)	21 (0,83)	23 (0,91)	29 (1,14)	44 (1,73)	46 (1,81)	50 (1,97)	7,0 (0,28)	85	0,275 (0,605)
KF-103 R	75 (165)	64 (2,52)	94 (3,70)	28 (1,10)	23 (0,91)	6 (0,24)	44 (1,73)	-	50 (1,97)	7,0 (0,28)	85	0,260 (0,572)
KF-104 D	340 (748)	85,6 (3,37)	131,8 (5,19)	31,3 (1,23)	35 (1,38)	38,1 (1,50)	64 (2,52)	62,7 (2,47)	67,8 (2,67)	8,5 (0,33)	90	0,670 (1,474)
KF-104 R	340 (748)	95,9 (3,78)	131,8 (5,19)	41,6 (1,64)	35 (1,38)	7,5 (0,30)	64 (2,52)	-	67,8 (2,67)	8,5 (0,33)	90	0,670 (1,474)

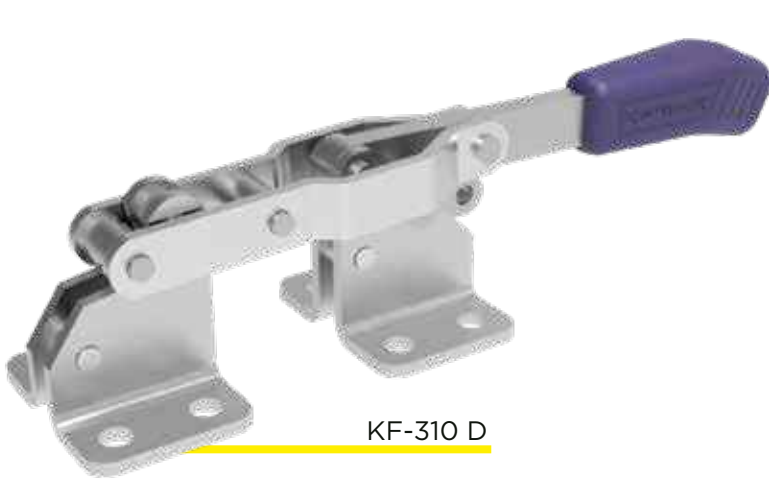


BASES
 D - Flanged Base
 R - Straight Base

BAR
 S - solid

REFERENCE	RETENTION FORCE KGF (LBF)	A (IN)	B (IN)	C (IN)	D (IN)	E (IN)	F (IN)	G (IN)	H (IN)	J (IN)	K (IN)	L (IN)	OPENING ANGLE	WEIGHT KG (LB)
KF-515 DS	360 (792)	40,8 (1,61)	228 (8,98)	22,3 (0,88)	63,5 (2,50)	6,35 (0,25)	84 (3,31)	25,4 (1,00)	50 (1,97)	8,5 (0,33)	12,7 (0,50)	12,7 (0,50)	85	0,520 (1,144)
KF-515 RS	360 (792)	40,8 (1,61)	228 (8,98)	22,3 (0,88)	-	12,7 (0,50)	47,8 (1,88)	-	68,2 (2,69)	-	12,7 (0,50)	12,7 (0,50)	85	0,450 (0,990)

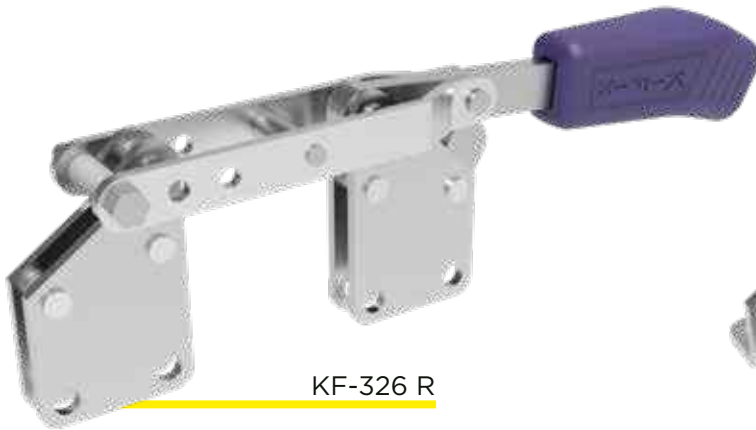
PULL ACTION LATCH CLAMP



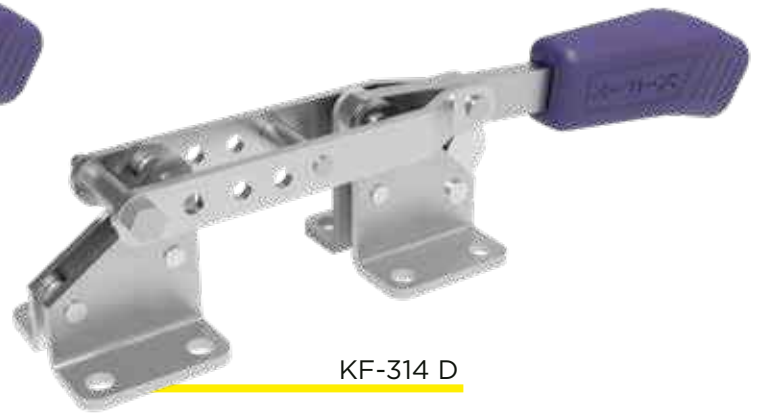
KF-310 D



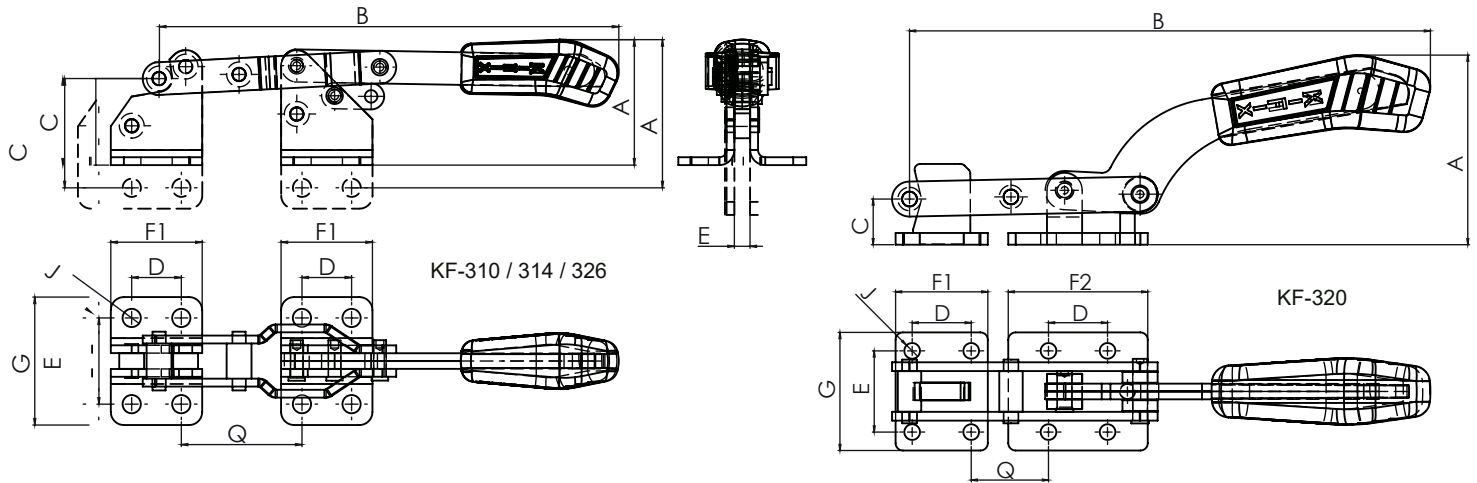
KF-320



KF-326 R



KF-314 D



BASES
D - Flanged Base
R - Straight Base

REFERENCE	RETENTION FORCE KGf (LBF)	A (IN)	B (IN)	C (IN)	D (IN)	E (IN)	F1 (IN)	F2 (IN)	G (IN)	J (IN)	Q (IN)	WEIGHT KG (LB)
KF-310 D	170 (374)	48 (1,89)	176 (6,93)	33 (1,30)	19 (0,75)	33 (1,30)	35 (1,38)	-	49 (1,93)	7,0 (0,28)	46 (1,81)	0,350 (0,770)
KF-310 R	170 (374)	57 (2,24)	176 (6,93)	42 (1,65)	19 (0,75)	6 (0,24)	35 (1,38)	-	-	7,0 (0,28)	46 (1,81)	0,350 (0,770)
KF-314 D	340 (748)	60 (2,36)	263 (10,35)	47 (1,85)	32 (1,26)	44 (1,73)	48 (1,89)	-	60 (2,36)	8,5 (0,33)	74 (2,91)	0,830 (1,826)
KF-314 R	340 (748)	73 (2,87)	263 (10,35)	60 (2,36)	32 (1,26)	8 (0,31)	48 (1,89)	-	-	8,5 (0,33)	74 (2,91)	0,830 (1,826)
KF-326 D	340 (748)	60 (2,36)	263 (10,35)	47 (1,85)	32 (1,26)	44 (1,73)	48 (1,89)	-	60 (2,36)	8,5 (0,33)	74 (2,91)	0,830 (1,826)
KF-326 R	340 (748)	73 (2,87)	263 (10,35)	60 (2,36)	32 (1,26)	8 (0,31)	48 (1,89)	-	-	8,5 (0,33)	74 (2,91)	0,830 (1,826)
KF-320	800 (1760)	103 (4,06)	282 (11,10)	25 (0,98)	32 (1,26)	44 (1,73)	50 (1,97)	76 (2,99)	64 (2,52)	8,5 (0,33)	42 (1,65)	1,250 (2,750)

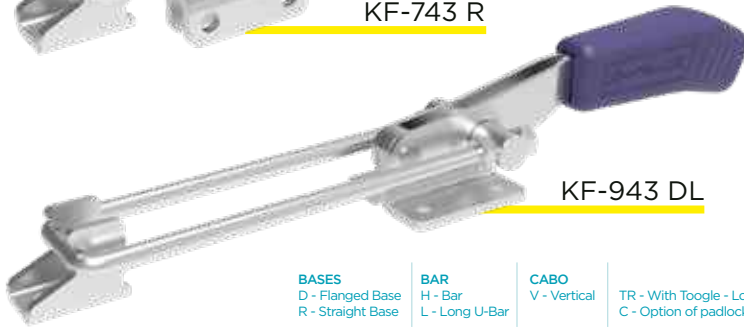
PULL ACTION LATCH CLAMP



KF-133 D TR



KF-743 R



KF-943 DL

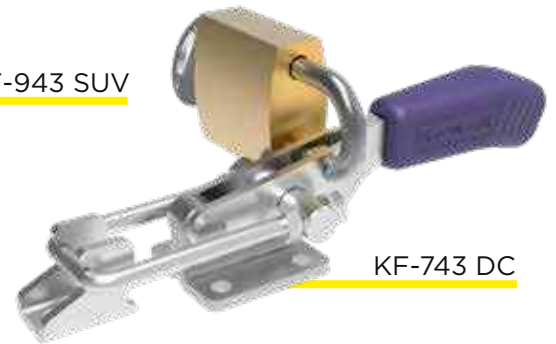
BASES
D - Flanged Base
R - Straight Base

BAR
H - Bar
L - Long U-Bar

CABO
V - Vertical

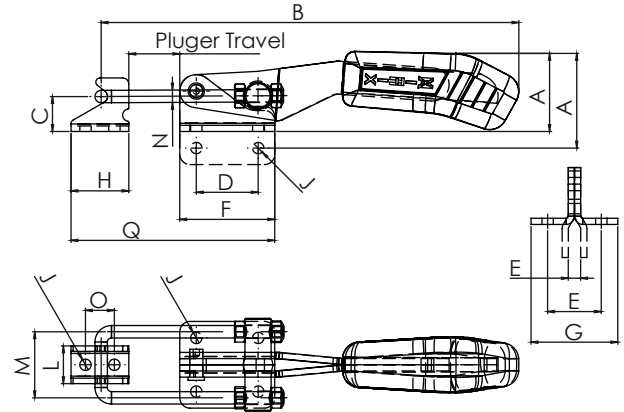
TR - With Toggle - Lock Plus
C - Option of padlock

KF-943 SUV



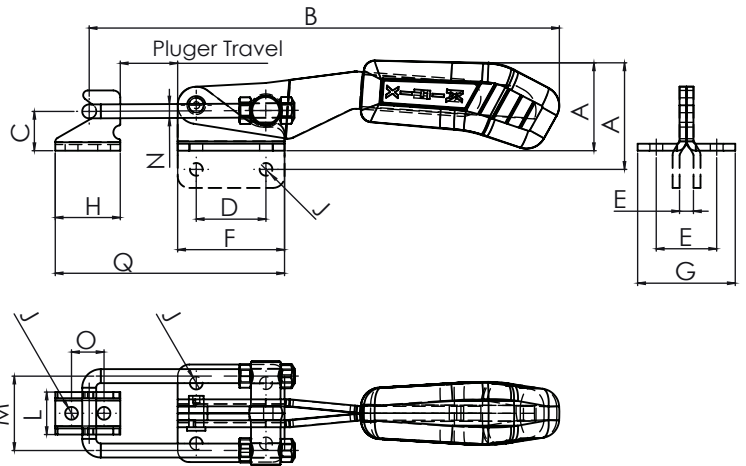
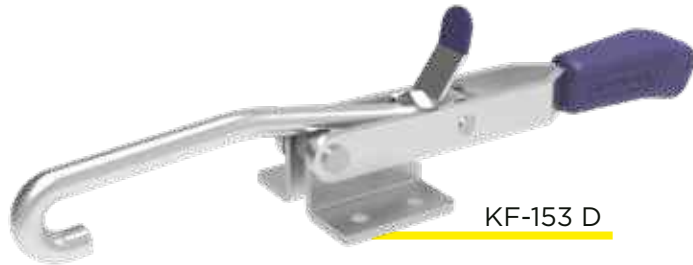
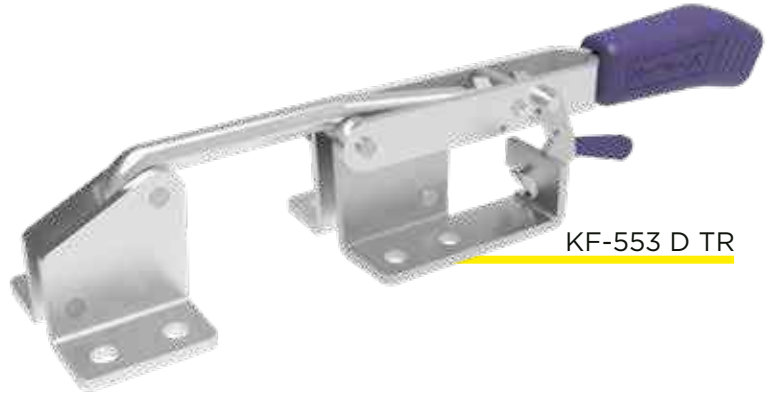
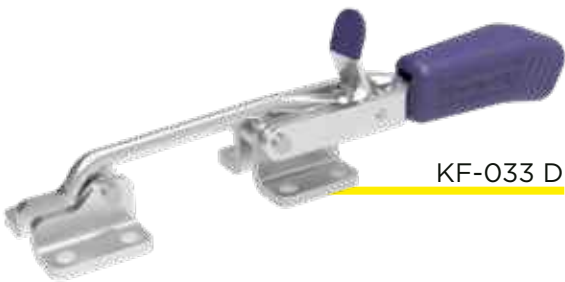
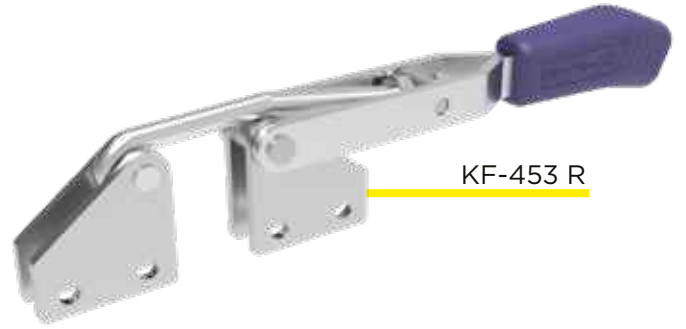
KF-743 DC

PADLOCK WILL NOT COME WITH THE CLAMP



REFERENCE	RETENTION FORCE KGf (Lbf)	PLUNGER TRAVEL (IN)	A (IN)	B MÍN (IN)	B MÁX (IN)	C (IN)	D (IN)	E (IN)	F (IN)	G (IN)	H (IN)	J (IN)	L (IN)	M (IN)	N (IN)	O (IN)	Q MÍN (IN)	Q MÁX (IN)	WEIGHT KG (LB)
KF-233 D	160 (352)	32 (1,26)	31 (1,22)	112 (4,41)	126 (4,96)	10 (0,39)	16 (0,63)	19 (0,75)	26 (1,02)	28 (1,10)	20 (0,79)	4,3 (0,17)	13 (0,51)	19 (0,75)	4 (0,16)	10 (0,39)	46 (1,81)	60 (2,36)	0,120 (0,264)
KF-233 R	160 (352)	32 (1,26)	40 (1,57)	112 (4,41)	126 (4,96)	10 (0,39)	16 (0,63)	4 (0,16)	26 (1,02)	-	20 (0,79)	4,3 (0,17)	13 (0,51)	19 (0,75)	4 (0,16)	10 (0,39)	46 (1,81)	60 (2,36)	0,120 (0,264)
KF-233 DTR	160 (352)	48 (1,89)	37 (1,46)	122 (4,80)	136 (5,35)	10 (0,39)	16 (0,63)	19 (0,75)	26 (1,02)	28 (1,10)	20 (0,79)	4,3 (0,17)	13 (0,51)	19 (0,75)	4 (0,16)	10 (0,39)	46 (1,81)	60 (2,36)	0,140 (0,308)
KF-643 D	200 (440)	48 (1,89)	56 (2,20)	139 (5,47)	155 (6,10)	14 (0,55)	24 (0,94)	22 (0,87)	36 (1,42)	33 (1,30)	23 (0,91)	5,5 (0,22)	16 (0,63)	25 (0,98)	5 (0,20)	11 (0,43)	59 (2,32)	75 (2,95)	0,230 (0,506)
KF-643 DV	200 (440)	48 (1,89)	121 (4,76)	73 (2,87)	89 (3,50)	14 (0,55)	24 (0,94)	22 (0,87)	36 (1,42)	33 (1,30)	23 (0,91)	5,5 (0,22)	16 (0,63)	25 (0,98)	5 (0,20)	11 (0,43)	59 (2,32)	75 (2,95)	0,215 (0,473)
KF-643 DL	150 (330)	48 (1,89)	56 (2,20)	139 (5,47)	210 (8,27)	14 (0,55)	24 (0,94)	22 (0,87)	36 (1,42)	33 (1,30)	23 (0,91)	5,5 (0,22)	16 (0,63)	25 (0,98)	5 (0,20)	11 (0,43)	59 (2,32)	130 (5,12)	0,240 (0,528)
KF-643 R	200 (440)	48 (1,89)	62 (2,44)	139 (5,47)	155 (6,10)	14 (0,55)	24 (0,94)	6 (0,24)	36 (1,42)	-	23 (0,91)	5,5 (0,22)	16 (0,63)	25 (0,98)	5 (0,20)	11 (0,43)	59 (2,32)	75 (2,95)	0,230 (0,506)
KF-643 RL	150 (330)	48 (1,89)	62 (2,44)	139 (5,47)	210 (8,27)	14 (0,55)	24 (0,94)	6 (0,24)	36 (1,42)	-	23 (0,91)	5,5 (0,22)	16 (0,63)	25 (0,98)	5 (0,20)	11 (0,43)	59 (2,32)	130 (5,12)	0,240 (0,528)
KF-643 DTR	200 (440)	48 (1,89)	59 (2,32)	139 (5,47)	155 (6,10)	14 (0,55)	24 (0,94)	22 (0,87)	36 (1,42)	33 (1,30)	23 (0,91)	5,5 (0,22)	16 (0,63)	25 (0,98)	5 (0,20)	11 (0,43)	74 (2,91)	90 (3,54)	0,290 (0,638)
KF-743 D	200 (440)	48 (1,89)	37 (1,46)	137 (5,39)	153 (6,02)	14 (0,55)	24 (0,94)	22 (0,87)	36 (1,42)	33 (1,30)	23 (0,91)	5,5 (0,22)	16 (0,63)	25 (0,98)	5 (0,20)	11 (0,43)	59 (2,32)	75 (2,95)	0,210 (0,462)
KF-743 DL	150 (330)	48 (1,89)	37 (1,46)	137 (5,39)	208 (8,19)	14 (0,55)	24 (0,94)	22 (0,87)	36 (1,42)	33 (1,30)	23 (0,91)	5,5 (0,22)	16 (0,63)	25 (0,98)	5 (0,20)	11 (0,43)	59 (2,32)	130 (5,12)	0,220 (0,484)
KF-743 DC	200 (440)	48 (1,89)	37 (1,46)	137 (5,39)	153 (6,02)	14 (0,55)	24 (0,94)	22 (0,87)	36 (1,42)	33 (1,30)	23 (0,91)	5,5 (0,22)	16 (0,63)	25 (0,98)	5 (0,20)	11 (0,43)	59 (2,32)	75 (2,95)	0,200 (0,440)
KF-743 R	200 (440)	48 (1,89)	42 (1,65)	137 (5,39)	153 (6,02)	14 (0,55)	24 (0,94)	6 (0,24)	36 (1,42)	-	23 (0,91)	5,5 (0,22)	16 (0,63)	25 (0,98)	5 (0,20)	11 (0,43)	59 (2,32)	75 (2,95)	0,210 (0,462)
KF-743 RL	150 (330)	48 (1,89)	42 (1,65)	137 (5,39)	208 (8,19)	14 (0,55)	24 (0,94)	6 (0,24)	36 (1,42)	-	23 (0,91)	5,5 (0,22)	16 (0,63)	25 (0,98)	5 (0,20)	11 (0,43)	59 (2,32)	130 (5,12)	0,220 (0,484)
KF-133 D	300 (660)	60 (2,36)	54 (2,13)	196 (7,72)	223 (8,78)	13 (0,51)	19 (0,75)	32 (1,26)	40 (1,57)	44 (1,73)	28 (1,10)	7,0 (0,28)	22,5 (0,89)	31 (1,22)	6 (0,24)	14 (0,55)	68 (2,68)	95 (3,74)	0,440 (0,968)
KF-133 DTR	300 (660)	60 (2,36)	57 (2,24)	196 (7,72)	223 (8,78)	13 (0,51)	19 (0,75)	32 (1,26)	40 (1,57)	44 (1,73)	28 (1,10)	7,0 (0,28)	22,5 (0,89)	31 (1,22)	6 (0,24)	14 (0,55)	68 (2,68)	95 (3,74)	0,530 (1,166)
KF-843 D	340 (748)	60 (2,36)	38 (1,50)	177 (6,97)	202 (7,95)	17 (0,67)	30 (1,18)	26 (1,02)	46 (1,81)	42 (1,65)	28 (1,10)	5,5 (0,22)	19 (0,75)	32 (1,26)	6 (0,24)	14 (0,55)	74 (2,91)	99 (3,90)	0,360 (0,792)
KF-843 DC	340 (748)	60 (2,36)	38 (1,50)	177 (6,97)	202 (7,95)	17 (0,67)	30 (1,18)	26 (1,02)	46 (1,81)	42 (1,65)	28 (1,10)	5,5 (0,22)	19 (0,75)	32 (1,26)	6 (0,24)	14 (0,55)	74 (2,91)	99 (3,90)	0,400 (0,880)
KF-843 R	340 (748)	60 (2,36)	55 (2,17)	177 (6,97)	202 (7,95)	17 (0,67)	30 (1,18)	6 (0,24)	46 (1,81)	-	28 (1,10)	5,5 (0,22)	19 (0,75)	32 (1,26)	6 (0,24)	14 (0,55)	74 (2,91)	99 (3,90)	0,360 (0,792)
KF-843 DTR	340 (748)	60 (2,36)	40 (1,57)	169 (6,65)	194 (7,64)	17 (0,67)	30 (1,18)	26 (1,02)	46 (1,81)	42 (1,65)	28 (1,10)	5,5 (0,22)	19 (0,75)	32 (1,26)	6 (0,24)	14 (0,55)	74 (2,91)	99 (3,90)	0,420 (0,924)
KF-943 D	680 (1496)	80 (3,15)	60 (2,36)	241 (9,49)	286 (11,26)	21 (0,83)	40 (1,57)	36 (1,42)	60 (2,36)	56 (2,20)	38 (1,50)	7,0 (0,28)	26 (1,02)	40 (1,57)	8 (0,31)	19 (0,75)	98 (3,86)	143 (5,63)	0,790 (1,738)
KF-943 DC	680 (1496)	80 (3,15)	60 (2,36)	241 (9,49)	286 (11,26)	21 (0,83)	40 (1,57)	36 (1,42)	60 (2,36)	56 (2,20)	38 (1,50)	7,0 (0,28)	26 (1,02)	40 (1,57)	8 (0,31)	19 (0,75)	98 (3,86)	143 (5,63)	0,810 (1,782)
KF-943 DL	450 (990)	80 (3,15)	60 (2,36)	241 (9,49)	361 (14,21)	21 (0,83)	40 (1,57)	36 (1,42)	60 (2,36)	56 (2,20)	38 (1,50)	7,0 (0,28)	26 (1,02)	40 (1,57)	8 (0,31)	19 (0,75)	98 (3,86)	218 (8,58)	0,850 (1,870)
KF-943 R	680 (1496)	80 (3,15)	72 (2,83)	241 (9,49)	286 (11,26)	21 (0,83)	40 (1,57)	8 (0,31)	60 (2,36)	-	38 (1,50)	7,0 (0,28)	26 (1,02)	40 (1,57)	8 (0,31)	19 (0,75)	98 (3,86)	143 (5,63)	0,790 (1,738)
KF-943 RL	450 (990)	80 (3,15)	72 (2,83)	241 (9,49)	361 (14,21)	21 (0,83)	40 (1,57)	8 (0,31)	60 (2,36)	-	38 (1,50)	7,0 (0,28)	26 (1,02)	40 (1,57)	8 (0,31)	19 (0,75)	98 (3,86)	218 (8,58)	0,850 (1,870)
KF-943 DTR	680 (1496)	80 (3,15)	60 (2,36)	241 (9,49)	286 (11,26)	21 (0,83)	40 (1,57)	36 (1,42)	60 (2,36)	56 (2,20)	38 (1,50)	7,0 (0,28)	26 (1,02)	40 (1,57)	8 (0,31)	19 (0,75)	98 (3,86)	143 (5,63)	0,830 (1,826)
KF-143 D	890 (1958)	80 (3,15)	73,4 (2,89)	207,4 (8,17)	225,4 (8,87)	21,3 (0,84)	41,3 (1,63)	38,1 (1,50)	60,5 (2,38)	53,8 (2,12)	38 (1,50)	8,5 (0,33)	25,5 (1,00)	40 (1,57)	8 (0,31)	19 (0,75)	98,6 (3,88)	116,6 (4,59)	0,720 (1,584)
KF-143 DTR	890 (1958)	80 (3,15)	73,4 (2,89)	207,4 (8,17)	225,4 (8,87)	21,3 (0,84)	41,3 (1,63)	38,1 (1,50)	60,5 (2,38)	53,8 (2,12)	38 (1,50)	8,5 (0,33)	25,5 (1,00)	40 (1,57)	8 (0,31)	19 (0,75)	98,6 (3,88)	116,6 (4,59)	0,770 (1,694)
KF-943 SUV	1200 (2645)	80 (3,15)	183 (7,20)	98 (3,85)	148 (5,82)	21 (0,82)	40 (1,57)	36 (1,42)	60 (2,36)	56 (2,20)	38 (1,50)	7,0 (0,28)	26 (1,02)	40 (1,57)	8 (0,31)	19 (0,74)	93 (3,66)	143 (5,62)	0,780 (1,71)
KF-943 SU H150	1400 (3086)	80 (3,15)	60 (2,36)	254 (10)	299 (11,77)	16 (0,59)	40 (1,57)	36 (1,42)	60 (2,36)	56 (2,20)	60 (2,36)	7,0 (0,28)	56 (2,20)	44 (1,73)	10 (0,39)	36 (1,41)	13 (0,51)	58 (2,28)	1,370 (3,020)
KF-943 SU H220	1400 (3086)	80 (3,15)	60 (2,36)	304 (11,96)	369 (14,52)	15 (0,59)	40 (1,57)	36 (1,42)	60 (2,36)	56 (2,20)	38 (1,50)	7,0 (0,28)	9,5 (0,37)	44 (1,73)	10 (0,39)	-	161 (6,33)	226 (8,89)	1,280 (2,821)

PULL ACTION LATCH CLAMP

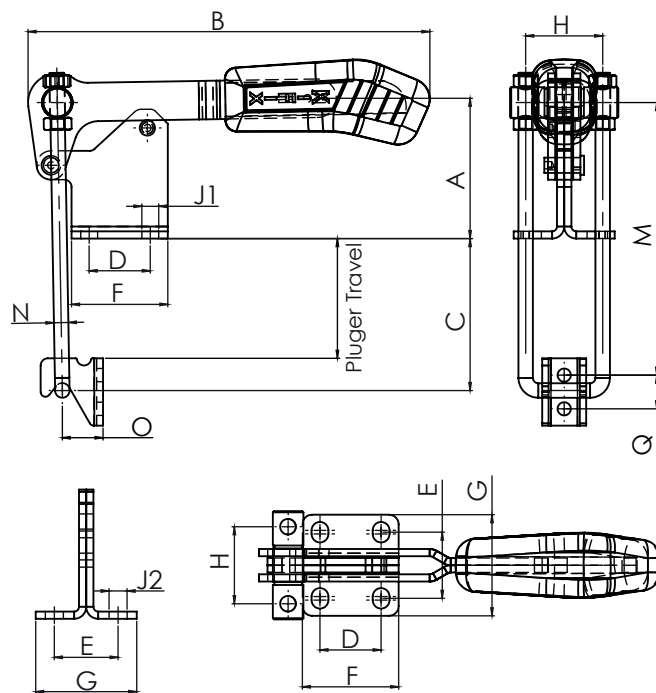


BASES
 D - Flanged Base
 R - Straight Base

BAR
 L - Long U-Bar
 TR - With Toogle
 - Lock Plus

REFERENCE	RETENTION FORCE KGf (Lbf)	A (IN)	B (IN)	C (IN)	D (IN)	E (IN)	F (IN)	G (IN)	J (IN)	N (IN)	Q (IN)	R (IN)	WEIGHT KG (LB)
KF-033 D	90 (198)	26 (1,02)	163 (6,42)	12 (0,47)	16 (0,63)	25,4 (1,00)	25,4 (1,00)	34 (1,34)	5,5 (0,22)	5 (0,20)	46 (1,81)	8 (0,31)	0,160 (0,352)
KF-033 DL	65 (143)	30 (1,18)	240 (9,45)	12 (0,47)	16 (0,63)	25,4 (1,00)	25,4 (1,00)	34 (1,34)	5,5 (0,22)	5 (0,20)	124 (4,88)	8 (0,31)	0,180 (0,396)
KF-353 D	120 (264)	35 (1,38)	215 (8,46)	18 (0,71)	25,4 (1,00)	25 (0,98)	35 (1,38)	38 (1,50)	5,5 (0,22)	6 (0,24)	40 (1,57)	8 (0,31)	0,300 (0,660)
KF-353 R	120 (264)	39 (1,54)	215 (8,46)	23 (0,91)	25,4 (1,00)	6,4 (0,25)	35 (1,38)	-	5,5 (0,22)	6 (0,24)	40 (1,57)	8 (0,31)	0,300 (0,660)
KF-353 DTR	120 (264)	35 (1,38)	215 (8,46)	18 (0,71)	25,4 (1,00)	25 (0,98)	35 (1,38)	38 (1,50)	5,5 (0,22)	6 (0,24)	40 (1,57)	8 (0,31)	0,310 (0,682)
KF-153 D	170 (374)	35 (1,38)	241 (9,49)	19 (0,75)	19,1 (0,75)	35 (1,38)	38,1 (1,50)	49,3 (1,94)	5,5 (0,22)	8 (0,31)	-	5 (0,20)	0,330 (0,726)
KF-153 DTR	170 (374)	35 (1,38)	251 (9,88)	19 (0,75)	19,1 (0,75)	35 (1,38)	38,1 (1,50)	49,3 (1,94)	5,5 (0,22)	8 (0,31)	-	5 (0,20)	0,370 (0,814)
KF-153 R	170 (374)	44,2 (1,74)	241 (9,49)	28 (1,10)	19,1 (0,75)	8 (0,31)	38,1 (1,50)	-	5,5 (0,22)	8 (0,31)	-	5 (0,20)	0,330 (0,726)
KF-453 D	340 (748)	40 (1,57)	248 (9,76)	25 (0,98)	25,4 (1,00)	36 (1,42)	45 (1,77)	51 (2,01)	7,0 (0,28)	8 (0,31)	44 (1,73)	10 (0,39)	0,550 (1,210)
KF-453 R	340 (748)	48 (1,89)	248 (9,76)	32 (1,26)	25,4 (1,00)	10 (0,39)	45 (1,77)	-	7,0 (0,28)	8 (0,31)	44 (1,73)	10 (0,39)	0,550 (1,210)
KF-453 DTR	340 (748)	40 (1,57)	248 (9,76)	25 (0,98)	25,4 (1,00)	36 (1,42)	45 (1,77)	51 (2,01)	7,0 (0,28)	8 (0,31)	44 (1,73)	10 (0,39)	0,570 (1,254)
KF-553 D	900 (1980)	72 (2,83)	367 (14,45)	51 (2,01)	28,5 (1,12)	60,5 (2,38)	54 (2,13)	85,5 (3,37)	10,6 (0,42)	12 (0,47)	90 (3,54)	10 (0,39)	1,550 (3,410)
KF-553 R	900 (1980)	88 (3,46)	367 (14,45)	67 (2,64)	28,5 (1,12)	13,5 (0,53)	54 (2,13)	-	10,6 (0,42)	12 (0,47)	90 (3,54)	10 (0,39)	1,550 (3,410)
KF-553 DTR	900 (1980)	72 (2,83)	367 (14,45)	51 (2,01)	28,5 (1,12)	60,5 (2,38)	54 (2,13)	85,5 (3,37)	10,6 (0,42)	12 (0,47)	90 (3,54)	10 (0,39)	1,650 (3,630)

PULL ACTION LATCH CLAMP

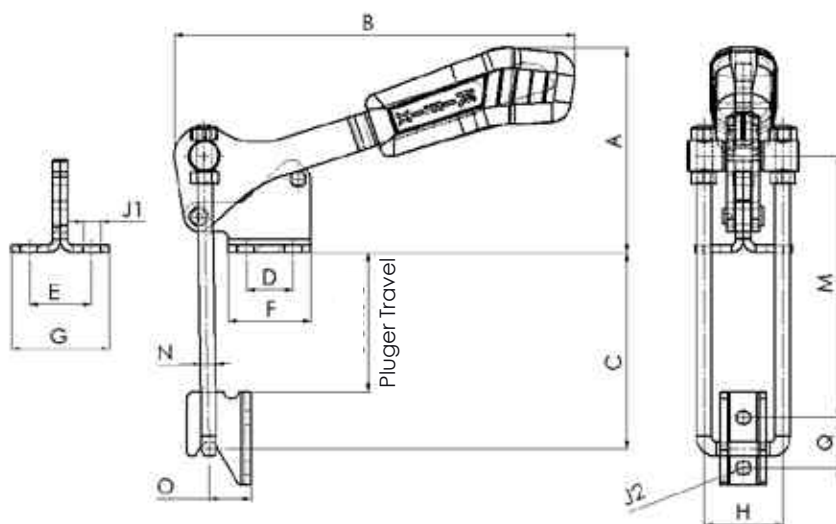


TR - With Toogle
- Lock Plus

REFERENCE	RETENTION FORCE KGf (Lbf)	PLUNGER TRAVEL (IN)	A (IN)	B (IN)	C MÁX (IN)	D (IN)	E (IN)	F (IN)	G (IN)	H (IN)	J1 (IN)	J2 (IN)	M MÍN (IN)	M MÁX (IN)	N (IN)	O (IN)	Q (IN)	WEIGHT KG (LB)
KF-063	200 (440)	40 (1,57)	41 (1,61)	129 (5,08)	72 (2,83)	24 (0,94)	26 (1,02)	35 (1,38)	37,5 (1,48)	25 (0,98)	6,0 (0,24)	8,0 (0,31)	45 (1,77)	105 (4,13)	5 (0,20)	13 (0,51)	11 (0,43)	0,25 (0,550)
KF-063 TR	200 (440)	40 (1,57)	44 (1,73)	137 (5,39)	76 (2,99)	24 (0,94)	26 (1,02)	35 (1,38)	37,5 (1,48)	25 (0,98)	6,0 (0,24)	8,0 (0,31)	45 (1,77)	105 (4,13)	5 (0,20)	13 (0,51)	11 (0,43)	0,32 (0,704)
KF-163	340 (748)	50 (1,97)	58 (2,28)	167 (6,57)	58 (2,28)	25,4 (1,00)	27,5 (1,08)	40 (1,57)	42 (1,65)	32 (1,26)	7,0 (0,28)	8,5 (0,33)	63 (2,48)	108 (4,25)	6 (0,24)	16 (0,63)	14 (0,55)	0,43 (0,946)
KF-263	680 (1496)	80 (3,15)	52 (2,05)	196 (7,72)	78 (3,07)	32 (1,26)	33 (1,30)	50 (1,97)	55 (2,17)	38 (1,50)	8,5 (0,33)	12,0 (0,47)	67 (2,64)	127 (5,00)	8 (0,31)	22 (0,87)	19 (0,75)	0,93 (2,046)
KF-263 TR	680 (1496)	80 (3,15)	55 (2,17)	211 (8,31)	74 (2,91)	32 (1,26)	33 (1,30)	50 (1,97)	55 (2,17)	38 (1,50)	8,5 (0,33)	12,0 (0,47)	71 (2,80)	127 (5,00)	8 (0,31)	22 (0,87)	19 (0,75)	1,09 (2,398)



KF-433

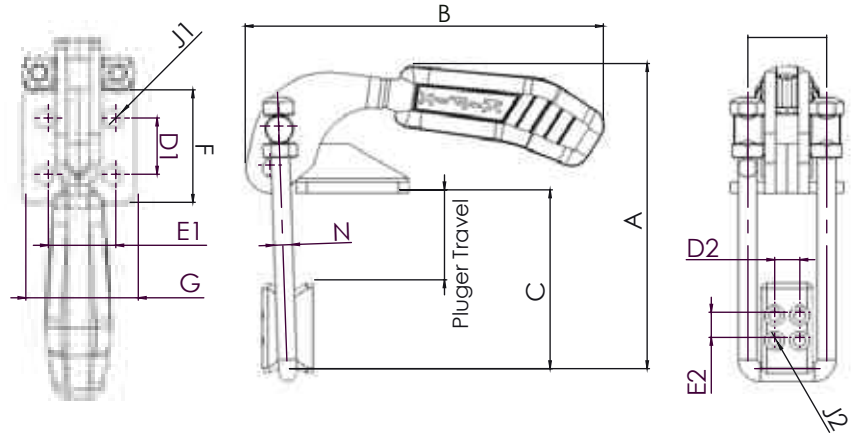


REFERENCE	RETENTION FORCE KGf (Lbf)	PLUNGER TRAVEL (IN)	A (IN)	B (IN)	C MÁX (IN)	D (IN)	E (IN)	F (IN)	G (IN)	H (IN)	J1 (IN)	J2 (IN)	M MÍN (IN)	M MÁX (IN)	N (IN)	O (IN)	Q (IN)	WEIGHT KG (LB)
KF-423	220 (484)	32 (1,26)	77 (3,03)	122 (4,80)	83 (3,27)	12,7 (0,50)	22,4 (0,88)	25,4 (1,00)	35,1 (1,38)	25 (0,98)	5,1 (0,20)	4,3 (0,17)	35 (1,38)	102 (4,02)	5 (0,20)	14 (0,55)	14,2 (0,56)	0,230 (0,506)
KF-433	450 (990)	32 (1,26)	84 (3,31)	162 (6,38)	80 (3,15)	19,1 (0,75)	25,4 (1,00)	33,3 (1,31)	39,6 (1,56)	32 (1,26)	7,1 (0,28)	5,6 (0,22)	50 (1,97)	107 (4,21)	6 (0,24)	17 (0,67)	20,6 (0,81)	0,400 (0,880)
KF-443	890 (1958)	32 (1,26)	93 (3,66)	194 (7,64)	88 (3,46)	31,8 (1,25)	36,6 (1,44)	49,3 (1,94)	53,8 (2,12)	38 (1,50)	8,6 (0,34)	8,6 (0,34)	65 (2,56)	119 (4,69)	8 (0,31)	21 (0,83)	27 (1,06)	0,890 (1,958)

PULL ACTION LATCH CLAMP



KF-473 D

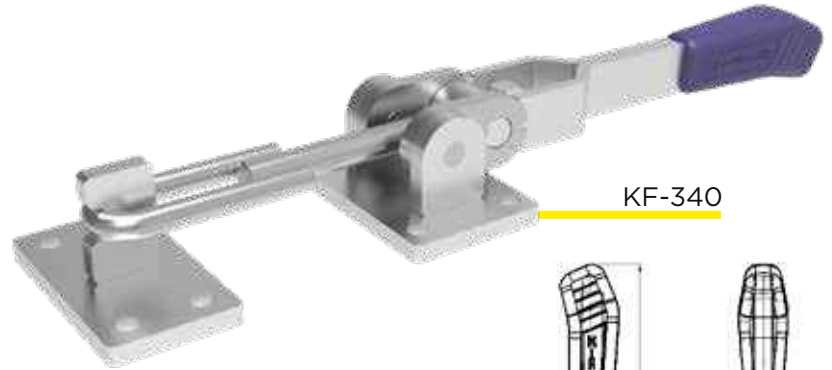


D - Flanged Base

REFERENCE	RETENTION FORCE KGF (LBF)	PLUNGER TRAVEL (IN)	A (IN)	B (IN)	C (IN)	D1 (IN)	D2 (IN)	E1 (IN)	E2 (IN)	F (IN)	G (IN)	H (IN)	J1 (IN)	J2 (IN)	N (IN)	WEIGHT KG (LB)
KF-473 D	1800 (3960)	44 (1,73)	172 (6,77)	202 (7,95)	101 (3,98)	31,8 (1,25)	14,2 (0,56)	38,1 (1,50)	14,2 (0,56)	63,5 (2,50)	63,5 (2,50)	44,5 (1,75)	10,3 (0,41)	6,4 (0,25)	10 (0,39)	1,500 (3,300)



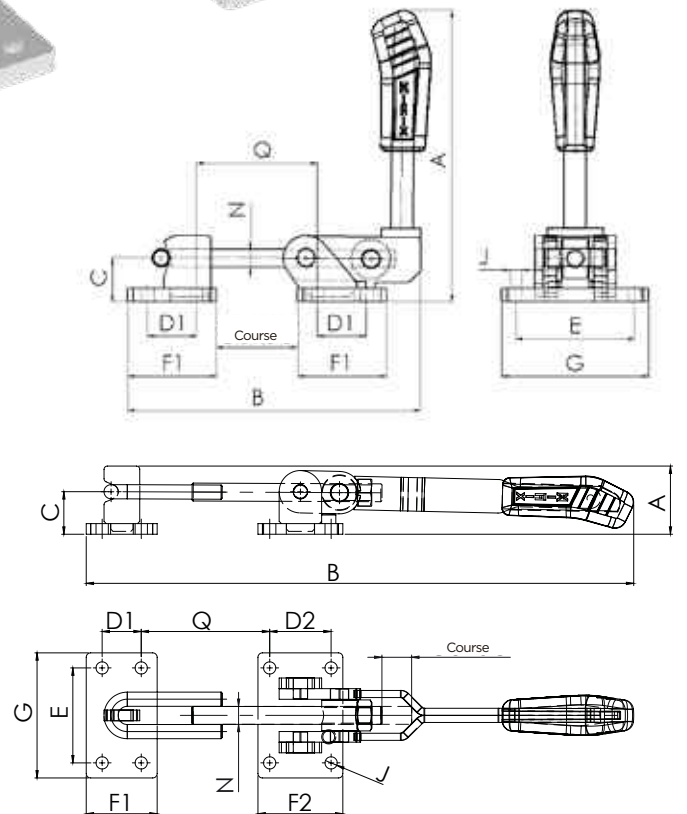
KF-330



KF-340



KF-350



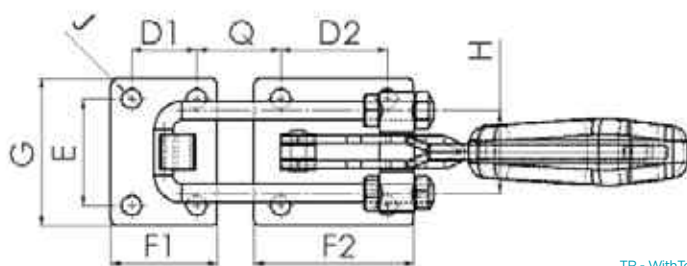
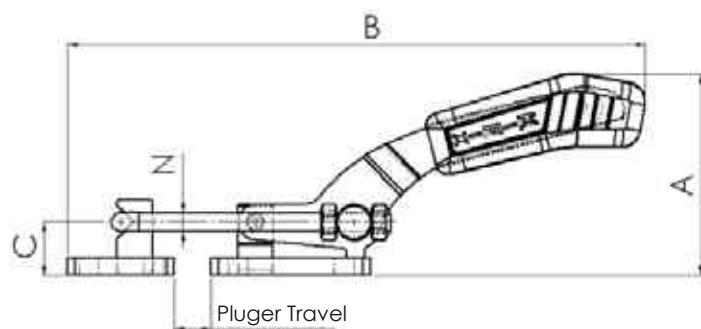
REFERENCE	RETENTION FORCE KGF (LBF)	PLUNGER TRAVEL (IN)	A (IN)	B MÁX (IN)	C (IN)	D1 (IN)	D2 (IN)	E (IN)	F1 (IN)	F2 (IN)	G (IN)	J (IN)	N (IN)	Q (IN)	WEIGHT KG (LB)
KF-330	1500 (3300)	48 (1,89)	208 (8,19)	209 (8,23)	31 (1,22)	35 (1,38)	-	85 (3,35)	63,5 (2,50)	-	105 (4,13)	8,5 (0,33)	12,7 (0,50)	86 (3,39)	2,960 (6,512)
KF-350	1800 (3960)	50 (1,97)	246 (9,69)	239 (9,41)	44 (1,73)	35 (1,38)	-	94 (3,70)	60 (2,36)	-	120 (4,72)	11,0 (0,43)	16 (0,63)	80 (3,15)	3,970 (8,734)
KF-340	2500 (5500)	53 (2,09)	61 (2,40)	490 (19,29)	38,1 (1,50)	35 (1,38)	55 (2,17)	85 (3,35)	63,5 (2,50)	76 (2,99)	112 (4,41)	11,0 (0,43)	16 (0,63)	115 (4,53)	3,200 (7,040)

PULL ACTION LATCH CLAMP



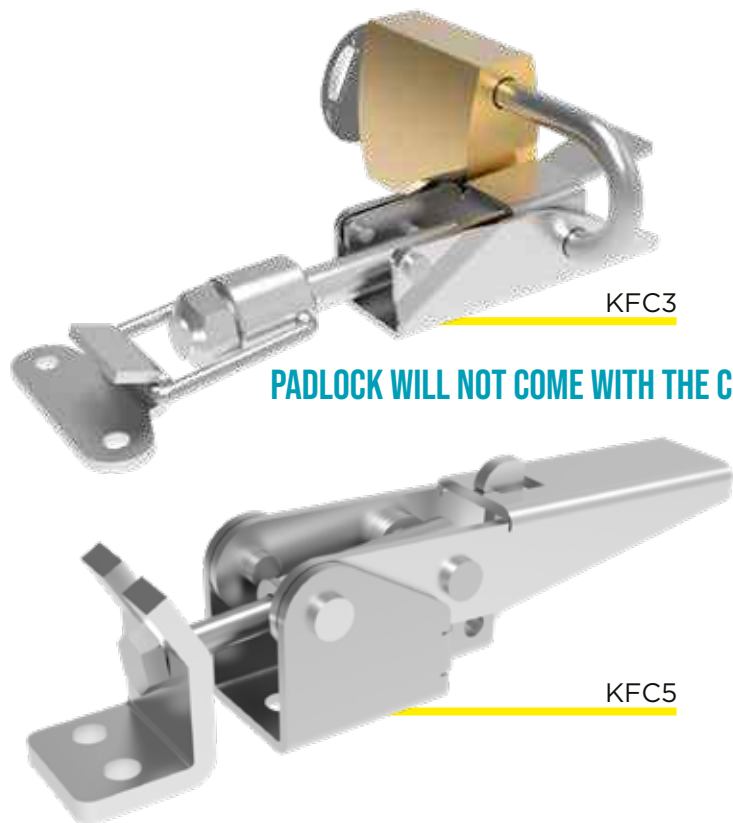
KF-385

KF-375 TR



TR - WithToogle
- Lock Plus

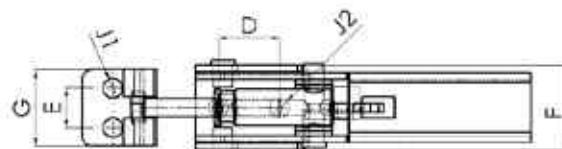
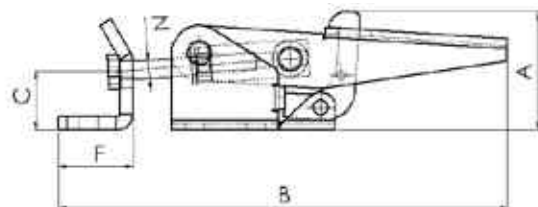
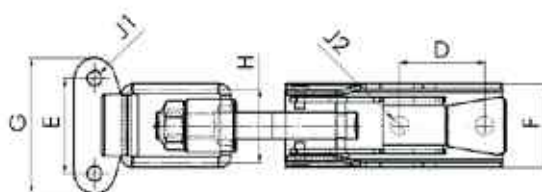
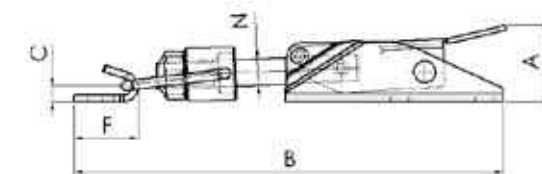
REFERENCE	RETENTION FORCE KGF (LBF)	PLUNGER TRAVEL (IN)	A (IN)	B MÁX (IN)	C (IN)	D1 (IN)	D2 (IN)	E (IN)	F1 (IN)	F2 (IN)	G (IN)	H (IN)	J (IN)	N (IN)	Q (IN)	WEIGHT KG (LB)
KF-375	1500 (3300)	105 (4,13)	109 (4,29)	310 (12,20)	29 (1,14)	35 (1,38)	57,2 (2,25)	57,2 (2,25)	57 (2,24)	86 (3,39)	80 (3,15)	45 (1,77)	10,5 (0,41)	10 (0,39)	45 (1,77)	1,800 (3,960)
KF-375 TR	1500 (3300)	105 (4,13)	117 (4,61)	326 (12,83)	29 (1,14)	35 (1,38)	57,2 (2,25)	57,2 (2,25)	57 (2,24)	86 (3,39)	80 (3,15)	45 (1,77)	10,5 (0,41)	10 (0,39)	45 (1,77)	2,140 (4,708)
KF-385	3400 (7480)	105 (4,13)	106 (4,17)	310 (12,20)	29 (1,14)	35 (1,38)	57,2 (2,25)	57,2 (2,25)	57 (2,24)	86 (3,39)	80 (3,15)	54 (2,13)	10,5 (0,41)	12 (0,47)	50 (1,97)	2,200 (4,840)
KF - 385 TR	3400 (7480)	105 (4,13)	110 (4,33)	335 (13,18)	29 (1,14)	35 (1,38)	57,2 (2,25)	57,5 (2,26)	57 (2,24)	86 (3,39)	80 (3,15)	54 (2,13)	10,5 (0,41)	10,5 (0,41)	50 (1,97)	2,500 (5,511)



KFC3

PADLOCK WILL NOT COME WITH THE CLAMP

KFC5



REFERENCE	RETENTION FORCE KGF (LBF)	PLUNGER TRAVEL (IN)	A (IN)	B (IN)	C (IN)	D (IN)	E (IN)	F (IN)	G (IN)	H (IN)	J1 (IN)	J2 (IN)	N (IN)	WEIGHT KG (LB)
KFC3	3 (7)	24 (0,94)	23 (0,91)	128 (5,04)	5 (0,20)	25,5 (1,00)	28,5 (1,12)	19 (0,75)	40,5 (1,59)	22 (0,87)	4,4 (0,17)	5,5 (0,22)	8 (0,31)	0,130 (0,286)
KFC5	180 (396)	60 (2,36)	38,9 (1,53)	148 (5,83)	17,5 (0,69)	20 (0,79)	13 (0,51)	24,5 (0,96)	25 (0,98)	-	6,4 (0,25)	6,4 (0,25)	6 (0,24)	0,235 (0,517)

PULL ACTION LATCH CLAMP WITH STRAP



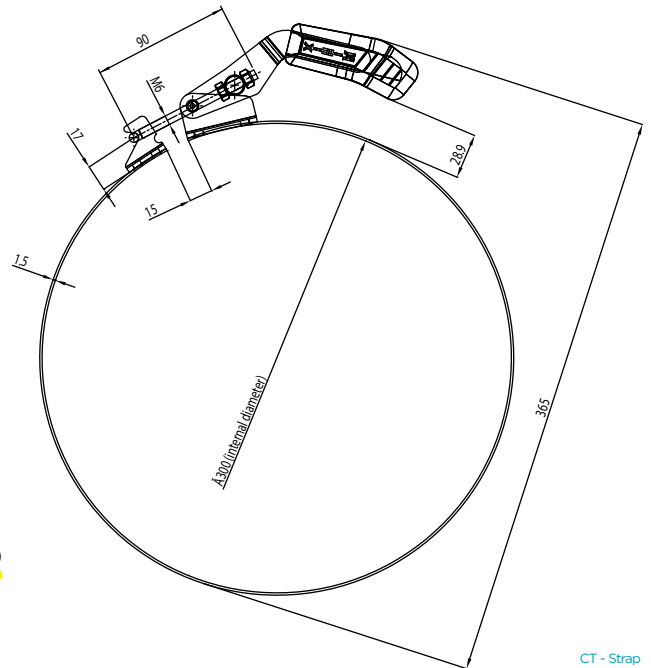
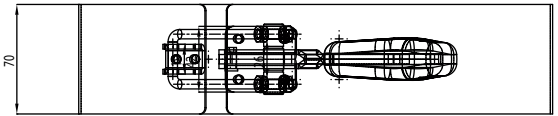
KF-743 CT 50



KF-743 CT 112



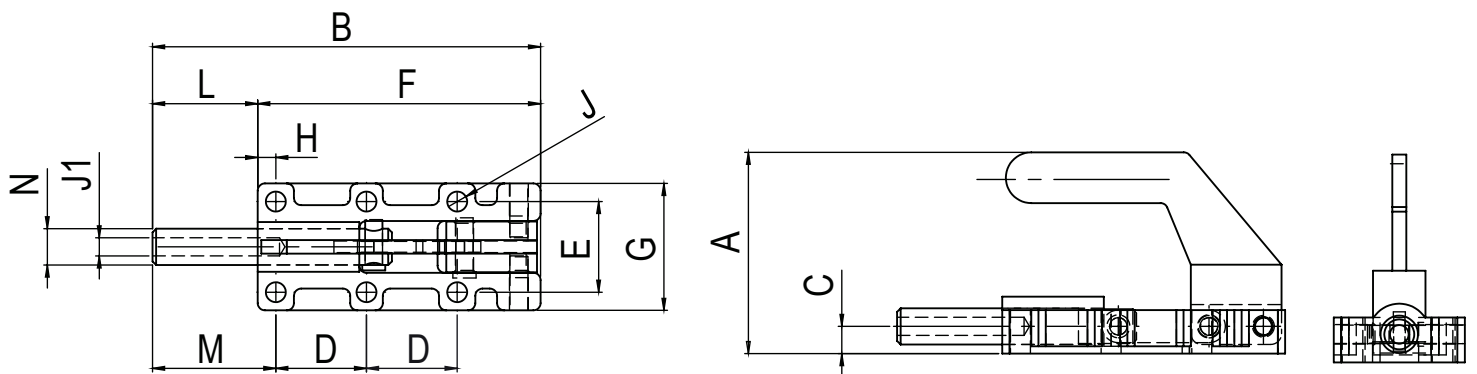
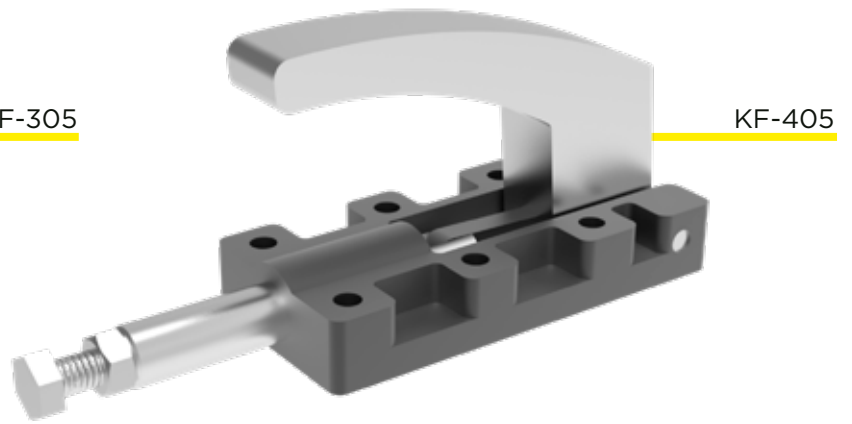
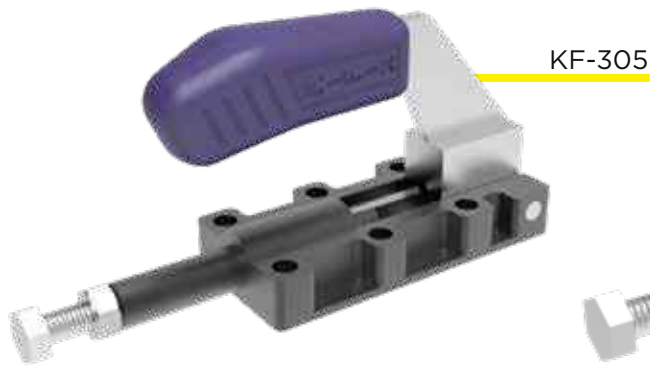
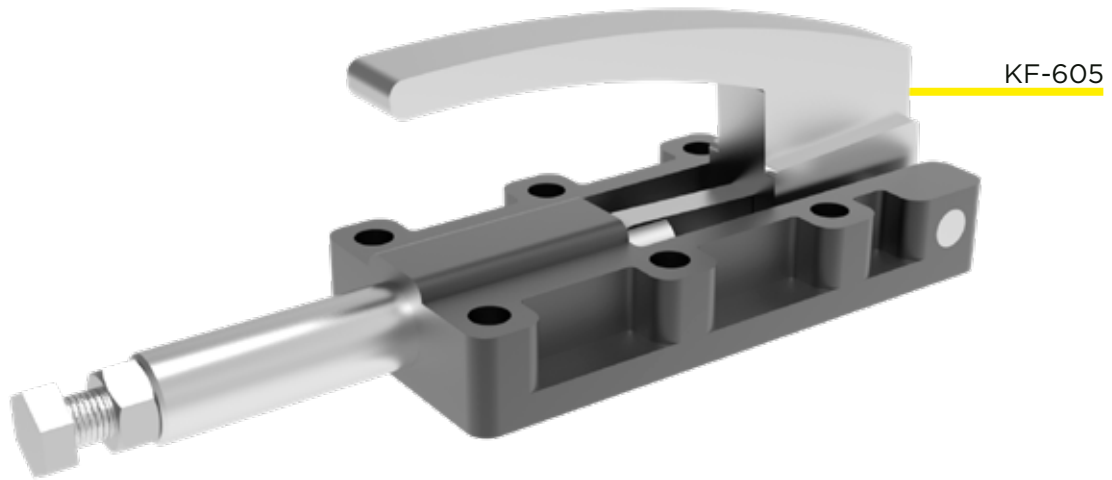
KF-743 CT 200



CT - Strap

REFERENCE	RETENTION FORCE KGF (LBF)	PLUNGER TRAVEL (IN)	A (IN)	B (IN)	C (IN)	E (IN)	L (IN)	M (IN)	N (IN)	Q (IN)	WEIGHT KG (LB)
KF-233 CT50	160 (352)	14 (0,55)	100 (3,93)	50 (1,96)	1,5 (0,05)	25 (0,98)	4,3 (0,16)	19 (0,74)	4 (0,15)	53 (2,08)	0,153 (0,337)
KF-233 CT75	160 (352)	14 (0,55)	101 (3,97)	75 (2,95)	1,5 (0,05)	25 (0,98)	4,3 (0,16)	19 (0,74)	4 (0,15)	55 (2,16)	0,176 (0,388)
KF-743 CT100	200 (440)	16 (0,62)	99 (3,99)	100 (3,93)	1,5 (0,05)	20 (0,78)	6,3 (0,24)	25 (0,98)	5 (0,19)	71 (2,79)	0,270 (0,595)
KF-743 CT112	200 (440)	16 (0,62)	159,6 (6,28)	112 (4,40)	1,5 (0,05)	20 (0,78)	6,3 (0,24)	25 (0,98)	5 (0,19)	71 (2,79)	0,285 (0,628)
KF-743 CT120	200 (440)	16 (0,62)	168 (6,61)	120 (4,72)	1,5 (0,05)	20 (0,78)	6,3 (0,24)	25 (0,98)	5 (0,19)	71 (2,79)	0,294 (0,648)
KF-743 CT150	200 (440)	16 (0,62)	123 (4,84)	150 (5,90)	1,5 (0,05)	20 (0,78)	6,3 (0,24)	25 (0,98)	5 (0,19)	70 (2,75)	0,325 (0,716)
KF-743 CT200	200 (440)	16 (0,62)	236 (9,29)	200 (7,87)	1,5 (0,05)	30 (1,18)	6,3 (0,24)	25 (0,98)	5 (0,19)	65 (2,55)	0,390 (0,859)
KF-743 CT250	200 (440)	16 (0,62)	283 (11,14)	250 (9,84)	1,5 (0,05)	20 (0,78)	6,3 (0,24)	25 (0,98)	5 (0,19)	70 (2,75)	0,440 (0,970)
KF-843 CT300	200 (440)	16 (0,62)	365 (14,37)	250 (9,84)	1,5 (0,05)	70 (2,75)	19 (0,74)	70 (2,75)	6 (0,23)	90 (3,54)	1,145 (2,524)

STRAIGHT LINE ACTION CLAMP



REFERENCE	RETENTION FORCE KGf (Lbf)	PLUNGER TRAVEL (IN)	A (IN)	B (IN)	C (IN)	D (IN)	E (IN)	F (IN)	G (IN)	H (IN)	J (IN)	J1 (IN)	L (IN)	M (IN)	N (IN)	WEIGHT KG (LB)
KF-305	250 (550)	25 (0,98)	60 (2,36)	105 (4,13)	7,5 (0,30)	25 (0,98)	25 (0,98)	78 (3,07)	35 (1,38)	5 (0,20)	5,5 (0,22)	M6X1,00	26,5 (1,04)	32 (1,26)	10 (0,39)	0,350 (0,770)
KF-405	500 (1100)	35 (1,38)	73 (2,87)	148 (5,83)	10 (0,39)	35 (1,38)	35 (1,38)	111 (4,37)	51 (2,01)	8,5 (0,33)	6,5 (0,26)	M8X1,25	37 (1,46)	46 (1,81)	14 (0,55)	1,100 (2,420)
KF-505	750 (1650)	50 (1,97)	78 (3,07)	190 (7,48)	14 (0,55)	45 (1,77)	45 (1,77)	141 (5,55)	66 (2,60)	10 (0,39)	8,5 (0,33)	M12X1,75	50 (1,97)	60 (2,36)	19 (0,75)	1,820 (4,004)
KF-605	1200 (2640)	60 (2,36)	84 (3,31)	238 (9,37)	16 (0,63)	55 (2,17)	55 (2,17)	171 (6,73)	76 (2,99)	10 (0,39)	10,5 (0,41)	M12X1,75	67 (2,64)	77 (3,03)	22 (0,87)	2,870 (6,314)

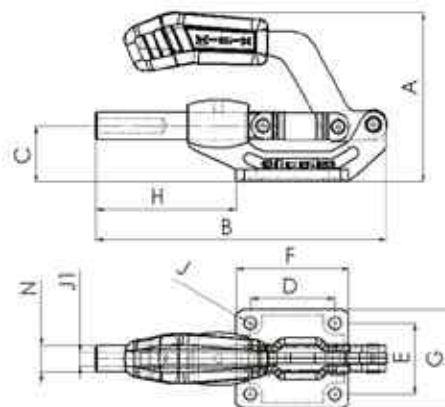
STRAIGHT LINE ACTION CLAMP



KF-057 TR



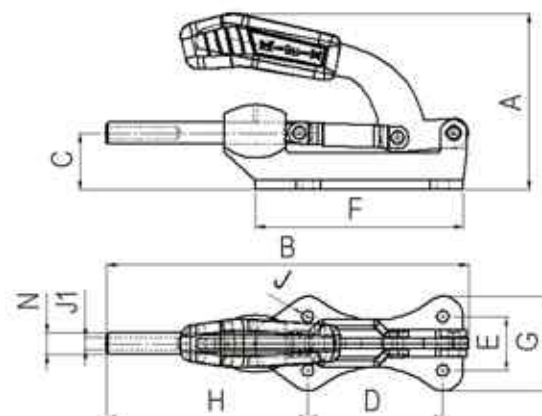
KF-061



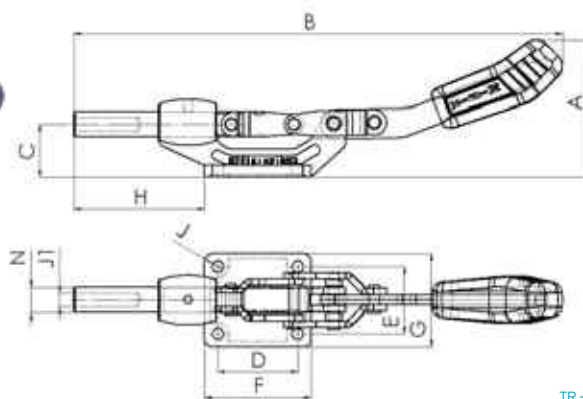
KF-051



KF-053



KF-052 IV



TR - With Toogle-Lock Plus
IV - Reversed Handle
RF - Enhanced Base

REFERENCE	RETENTION FORCE KGF (LBF)	PLUNGER TRAVEL (IN)	A (IN)	B (IN)	C (IN)	D (IN)	E (IN)	F (IN)	G (IN)	H (IN)	J (IN)	J1 (IN)	N (IN)	WEIGHT KG (LB)
KF-061	50 (110)	16 (0,63)	51,3 (2,02)	66,1 (2,60)	13,7 (0,54)	16 (0,63)	16 (0,63)	35,4 (1,39)	26,7 (1,05)	22,5 (0,89)	4,3 (0,17)	M4X0,70	6,35 (0,25)	0,070 (0,154)
KF-057	230 (506)	36 (1,42)	82 (3,23)	144 (5,67)	25 (0,98)	35 (1,38)	40 (1,57)	50 (1,97)	55 (2,17)	71 (2,80)	7,0 (0,28)	M8X1,25	12 (0,47)	0,400 (0,880)
KF-057 TR	230 (506)	36 (1,42)	98 (3,86)	144 (5,67)	25 (0,98)	35 (1,38)	40 (1,57)	50 (1,97)	55 (2,17)	71 (2,80)	7,0 (0,28)	M8X1,25	12 (0,47)	0,420 (0,924)
KF-057 IV	230 (506)	35 (1,38)	34 (1,34)	239 (9,41)	25 (0,98)	35 (1,38)	40 (1,57)	50 (1,97)	55 (2,17)	71 (2,80)	7,0 (0,28)	M8X1,25	12 (0,47)	0,395 (0,869)
KF-051	270 (594)	35 (1,38)	92,2 (3,63)	125 (4,92)	24,8 (0,98)	36,6 (1,44)	33,3 (1,31)	58 (2,28)	48 (1,89)	57 (2,24)	6,3 (0,25)	M8X1,25	12 (0,47)	0,390 (0,858)
KF-054	380 (836)	41 (1,61)	107,9 (4,25)	154 (6,06)	31,8 (1,25)	41,4 (1,63)	41,4 (1,63)	58,7 (2,31)	57,2 (2,25)	42,2 (1,66)	8,5 (0,33)	M10X1,50	16 (0,63)	0,890 (1,958)
KF-053	500 (1100)	83 (3,27)	127 (5,00)	268 (10,55)	42 (1,65)	100 (3,94)	40 (1,57)	154 (6,06)	70 (2,76)	149 (5,87)	8,5 (0,33)	M10X1,50	16 (0,63)	2,150 (4,730)
KF-053 TR	500 (1100)	83 (3,27)	134 (5,28)	268 (10,55)	42 (1,65)	100 (3,94)	40 (1,57)	154 (6,06)	70 (2,76)	149 (5,87)	8,5 (0,33)	M10X1,50	16 (0,63)	2,220 (4,884)
KF-052	700 (1540)	50 (1,97)	116 (4,57)	205 (8,07)	40 (1,57)	60 (2,36)	50 (1,97)	80 (3,15)	70 (2,76)	99 (3,90)	8,5 (0,33)	M12X1,75	19 (0,75)	1,280 (2,816)
KF-052 TR	700 (1540)	50 (1,97)	137 (5,39)	205 (8,07)	40 (1,57)	60 (2,36)	50 (1,97)	80 (3,15)	70 (2,76)	99 (3,90)	8,5 (0,33)	M12X1,75	19 (0,75)	1,710 (3,762)
KF-052 IV	700 (1540)	52 (2,05)	103 (4,06)	368 (14,49)	40 (1,57)	60 (2,36)	50 (1,97)	80 (3,15)	70 (2,76)	98 (3,86)	8,5 (0,33)	M12X1,75	19 (0,75)	1,590 (3,498)
KF-052 RF	1200 (2640)	50 (1,97)	120 (4,72)	205 (8,07)	40 (1,57)	60 (2,36)	50 (1,97)	80 (3,15)	70 (2,76)	99 (3,90)	8,5 (0,33)	M12X1,75	19 (0,75)	1,660 (3,652)
KF-056	1800 (3960)	78 (3,07)	150 (5,91)	287 (11,30)	57 (2,24)	100 (3,94)	60 (2,36)	162 (6,38)	86 (3,39)	162 (6,38)	10,5 (0,41)	M16X2,00	25 (0,98)	3,500 (7,700)

STRAIGHT LINE ACTION CLAMP WITH ALÇA



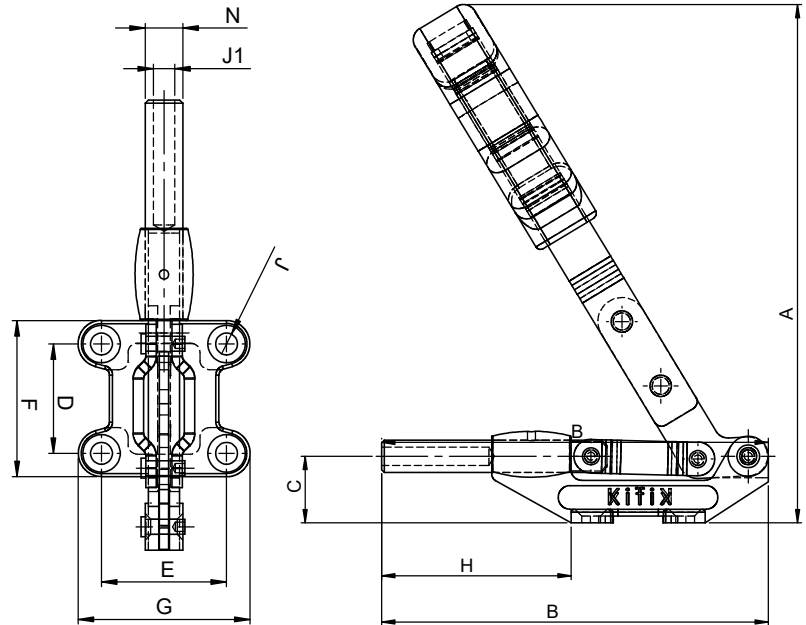
KF-054 AL



KF-052 AL



KF-057 AL



AL - Hand Handle

REFERENCE	RETENTION FORCE KGF (LBF)	PLUNGER TRAVEL (IN)	A (IN)	B (IN)	C (IN)	D (IN)	E (IN)	F (IN)	G (IN)	H (IN)	J (IN)	J1 (IN)	N (IN)	WEIGHT KG (LB)
KF-052 AL	700 (1540)	50 (1,97)	215 (8,46)	205 (8,07)	40 (1,57)	60 (2,36)	50 (1,97)	80 (3,15)	70 (2,76)	99 (3,90)	8,5 (0,33)	M12X1,75	19 (0,75)	1,550 (3,417)
KF-054 AL	380 (836)	41 (1,61)	196 (7,71)	154 (6,06)	40 (1,57)	41,4 (1,63)	41,4 (1,63)	58,7 (2,31)	57,2 (2,25)	42,2 (1,66)	8,5 (0,33)	M10X1,50	16 (0,63)	1,205 (2,656)
KF-057 AL	230 (506)	36 (1,42)	193 (7,59)	144 (5,67)	25 (0,98)	35 (1,38)	40 (1,57)	50 (1,97)	55 (2,17)	71 (2,80)	7,0 (0,28)	M8X1,25	12 (0,47)	0,820 (1,807)

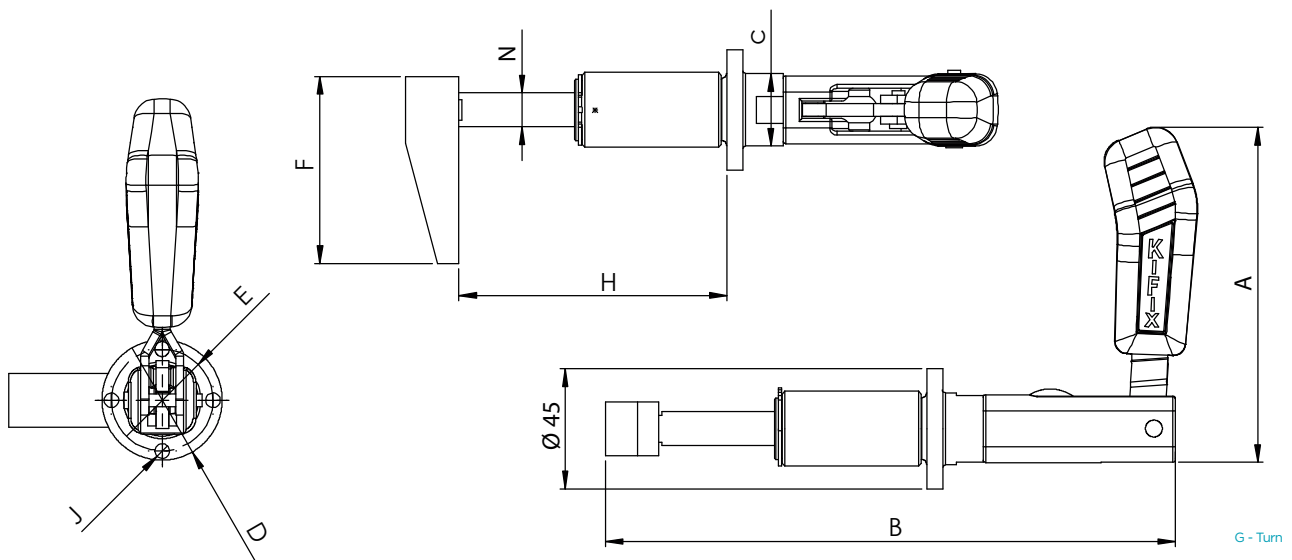
STRAIGHT LINE ACTION CLAMP WITH TURNING



KF-007 G

Upper view

Side view



G-Turn

REFERENCE	RETENTION FORCE KGF (LBF)	PLUNGER TRAVEL (IN)	A (IN)	B (IN)	C (IN)	D (IN)	E (IN)	F (IN)	H (IN)	J (IN)	N (IN)	WEIGHT KG (LB)
KF-007 G	200 (440)	42 (1,65)	125 (4,92)	213 (8,38)	27 (1,06)	45 (1,77)	38 (1,49)	70 (2,75)	100 (3,93)	5,5 (0,21)	12,7 (0,5)	0,925 (2,039)

STRAIGHT LINE ACTION CLAMP



KF-005



KF-006



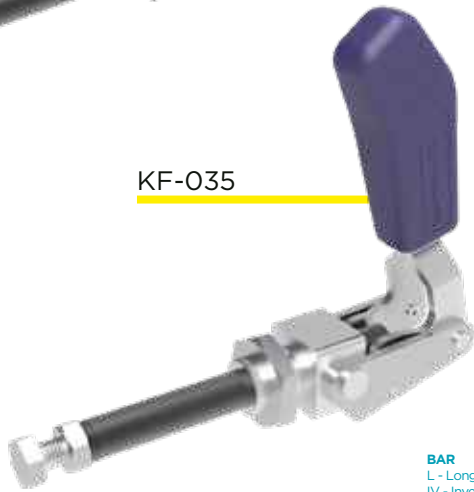
KF-007 TR



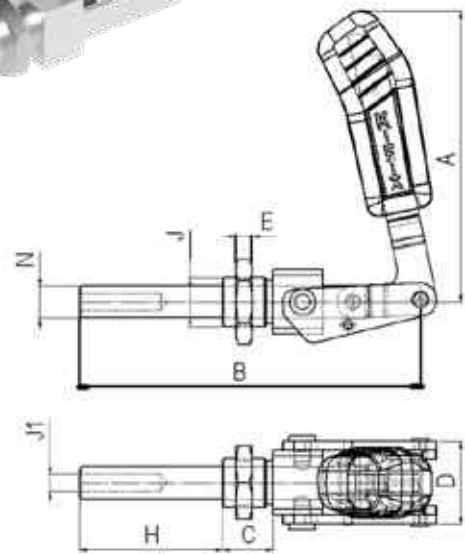
KF-025 L



KF-015 TR



KF-035

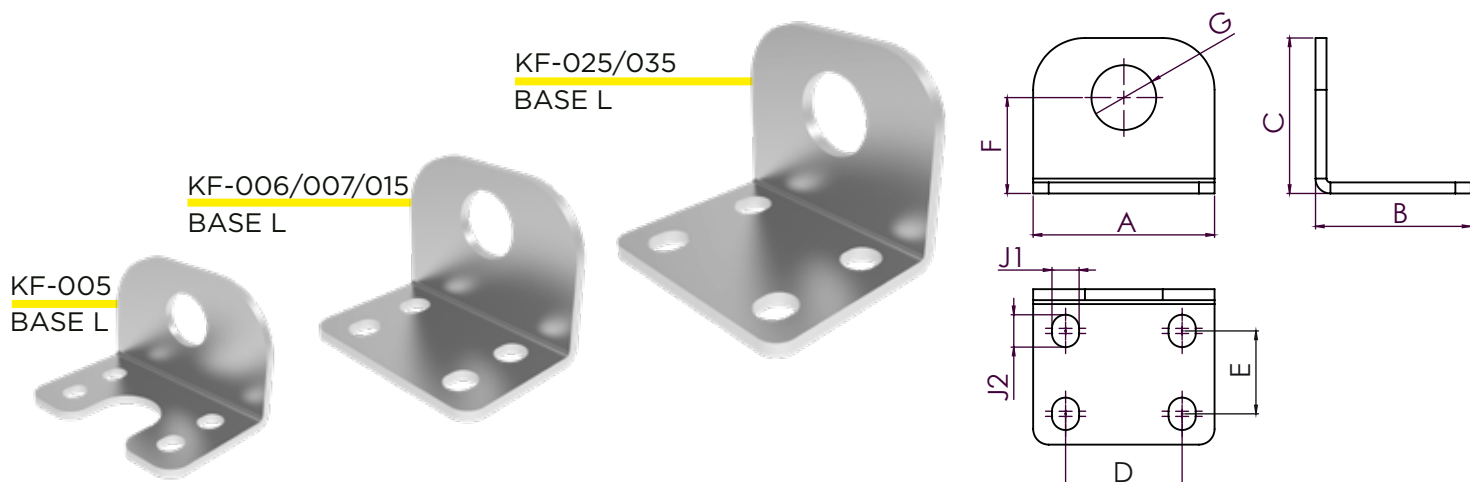


BAR
L - Long U - Bar
IV - Inverted

TR - With Toggle
-Lock Plus
A - Open

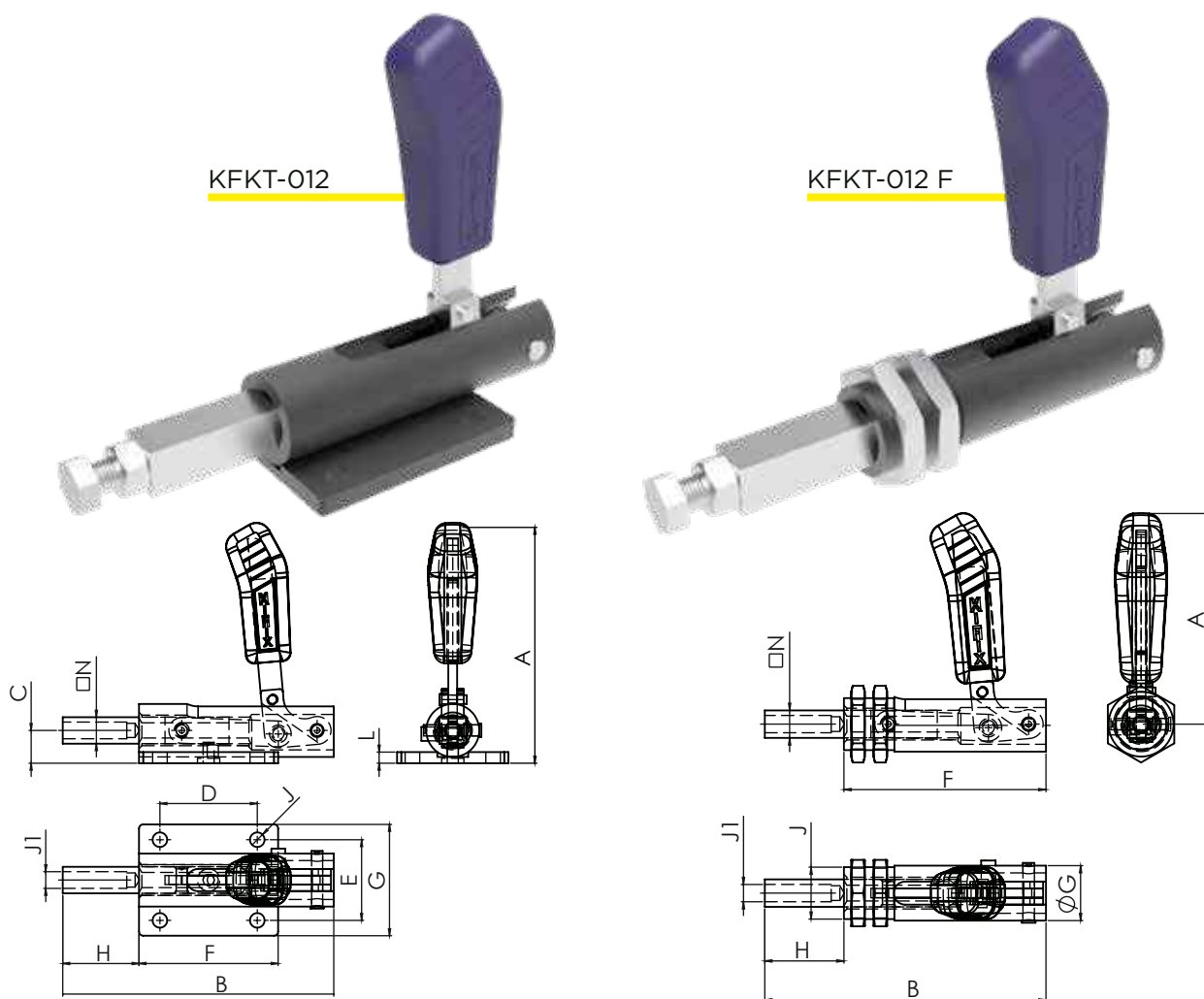
REFERENCE	RETENTION FORCE KGF (LBF)	PLUNGER TRAVEL (IN)	A (IN)	B (IN)	C (IN)	D (IN)	E (IN)	H (IN)	J (IN)	J1 (IN)	N (IN)	WEIGHT KG (LB)
KF-005	90 (198)	20 (0,79)	79 (3,11)	60 (2,36)	12 (0,47)	26 (1,02)	7,8 (0,31)	21 (0,83)	M16X1,50	M6X1,00	9,5 (0,37)	0,190 (0,418)
KF-006	120 (264)	39 (1,54)	107 (4,21)	105 (4,13)	16,5 (0,65)	31 (1,22)	8,5 (0,33)	39 (1,54)	M20X1,50	M8X1,25	12 (0,47)	0,420 (0,924)
KF-009	150 (330)	60 (2,36)	109 (4,29)	138 (5,43)	16,5 (0,65)	31 (1,22)	7 (0,27)	62 (2,44)	M20X1,50	M8X1,25	12 (0,47)	0,460 (1,01)
KF-007	200 (440)	41 (1,61)	125 (4,92)	125 (4,92)	18 (0,71)	25,4 (1,00)	8,5 (0,33)	42 (1,65)	M20X1,50	M8X1,25	12,7 (0,50)	0,490 (1,078)
KF-007 TR	200 (440)	41 (1,61)	135 (5,31)	125 (4,92)	18 (0,71)	25,4 (1,00)	8,5 (0,33)	42 (1,65)	M20X1,50	M8X1,25	12,7 (0,50)	0,515 (1,133)
KF-007 TR A	200 (440)	41 (1,61)	135 (5,31)	125 (4,92)	18 (0,71)	25,4 (1,00)	7 (0,27)	43 (1,69)	M20X1,50	M8X1,25	12,7 (0,50)	0,508 (1,12)
KF-015	250 (550)	34 (1,34)	115 (4,53)	137 (5,39)	20 (0,79)	25 (0,98)	8,5 (0,33)	35 (1,38)	M20X1,50	M8X1,25	12 (0,47)	0,470 (1,034)
KF-015 TR	250 (550)	34 (1,34)	142 (5,59)	137 (5,39)	20 (0,79)	25 (0,98)	8,5 (0,33)	35 (1,38)	M20X1,50	M8X1,25	12 (0,47)	0,540 (1,188)
KF-015 IV	250 (550)	34 (1,34)	125 (4,92)	142 (5,59)	20 (0,79)	25 (0,98)	8,5 (0,33)	35 (1,38)	M20X1,50	M8X1,25	12 (0,47)	0,470 (1,034)
KF-025	500 (1100)	40 (1,57)	132 (5,20)	180 (7,09)	25 (0,98)	32 (1,26)	10 (0,39)	47 (1,85)	M24X2,00	M10X1,50	16 (0,63)	0,990 (2,178)
KF-025 TR	500 (1100)	40 (1,57)	132 (5,20)	180 (7,09)	25 (0,98)	32 (1,26)	10 (0,39)	47 (1,85)	M24X2,00	M10X1,50	16 (0,63)	1,020 (2,244)
KF-025 L	300 (660)	99 (3,90)	151 (5,94)	316 (12,44)	25 (0,98)	32 (1,26)	10 (0,39)	102 (4,02)	M24X2,00	M10X1,50	16 (0,63)	1,400 (3,080)
KF-035	320 (704)	66 (2,60)	143 (5,63)	175 (6,89)	25 (0,98)	40 (1,57)	10 (0,39)	70 (2,76)	M24X2,00	M10X1,50	16 (0,63)	0,920 (2,024)
KF-035 TR	320 (704)	66 (2,60)	143 (5,63)	175 (6,89)	25 (0,98)	40 (1,57)	10 (0,39)	70 (2,76)	M24X2,00	M10X1,50	16 (0,63)	0,980 (2,156)

STRAIGHT LINE ACTION CLAMP



REFERENCE	A (IN)	B (IN)	C (IN)	D (IN)	E (IN)	F (IN)	G (IN)	J1 (IN)	J2 (IN)	WEIGHT KG (LB)
KF-005 BASE L	60 (2,36)	40 (1,57)	40 (1,57)	40 (1,57)	16 (0,63)	24 (0,94)	16,5 (0,65)	8,5 (0,33)	8,5 (0,33)	0,075 (0,165)
KF-006/007/015 BASE L	65 (2,56)	44 (1,73)	50 (1,97)	40 (1,57)	20 (0,79)	33 (1,30)	20,5 (0,81)	8,5 (0,33)	10,5 (0,41)	0,140 (0,308)
KF-025/035 BASE L	70 (2,76)	60 (2,36)	60 (2,36)	45 (1,77)	32 (1,26)	37 (1,46)	25 (0,98)	10,5 (0,41)	12,5 (0,49)	0,250 (0,550)

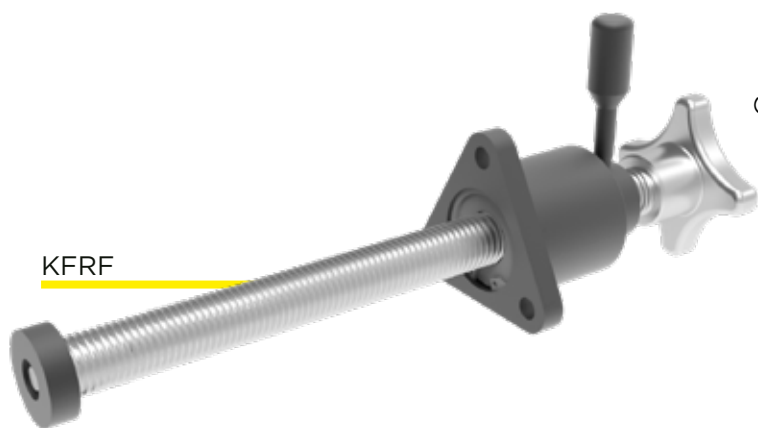
STRAIGHT LINE ACTION CLAMP SQUARE PLUNGER



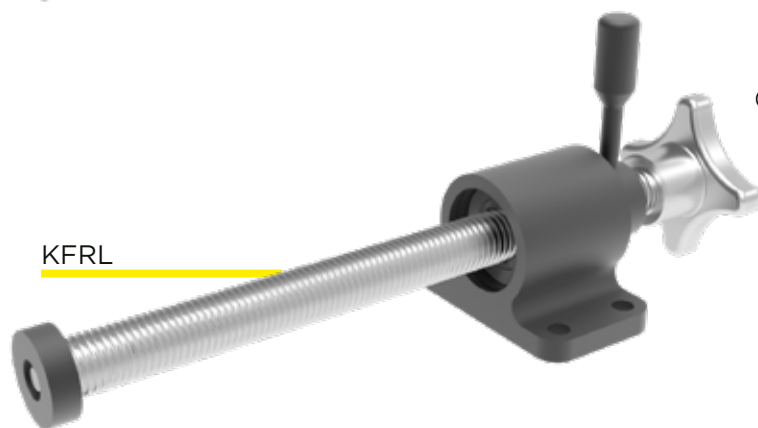
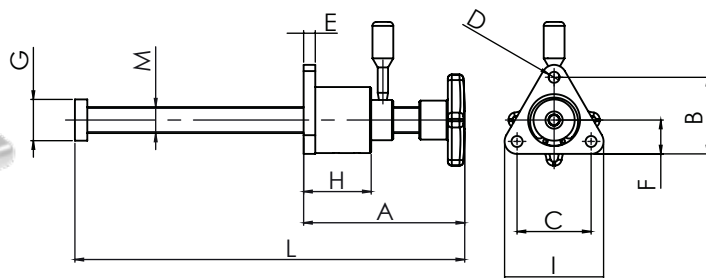
BASES
F - Front Base

REFERENCE	RETENTION FORCE KG (LBF)	PLUNGER TRAVEL (IN)	A (IN)	B (IN)	C (IN)	D (IN)	E (IN)	F (IN)	G (IN)	H (IN)	J (IN)	J1 (IN)	L (IN)	N (IN)	WEIGHT KG (LB)
KFKT-012	900 (1980)	48 (1,89)	173 (6,81)	195 (7,68)	23,6 (0,93)	70 (2,76)	58 (2,28)	100 (3,94)	80 (3,15)	55 (2,17)	10,5 (0,41)	M12X1,75	8 (0,31)	19 (0,75)	1,850 (4,070)
KFKT-012 F	900 (1980)	48 (1,89)	146 (5,75)	195 (7,68)	-	-	-	140 (5,51)	38,1 (1,50)	55 (2,17)	M36X1,50	M12X1,75	-	19 (0,75)	1,530 (3,366)

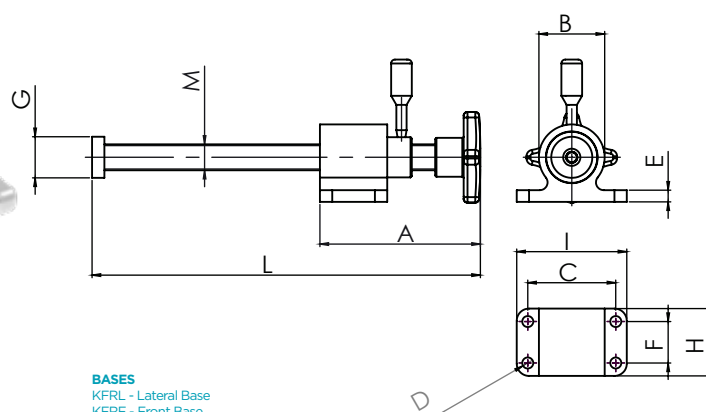
VARIABLE STROKE



KFRF



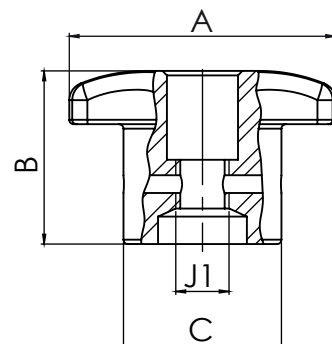
KFRL



BASES
 KFRL - Lateral Base
 KFRF - Front Base

REFERENCE	RETENTION FORCE KGf (Lbf)	A (IN)	B (IN)	C (IN)	D (IN)	E (IN)	F (IN)	G (IN)	H (IN)	I (IN)	L (IN)	M (IN)	WEIGHT KG (LB)
KFRL-12	500 (1100)	64,5 (2,54)	35 (1,38)	45 (1,77)	5,5 (0,22)	6 (0,24)	20 (0,79)	19 (0,75)	32 (1,26)	55 (2,17)	175,4 (6,91)	M12X1,75	0,480 (1,056)
KFRF-12	500 (1100)	64,5 (2,54)	38,9 (1,53)	38 (1,50)	5,5 (0,22)	6 (0,24)	17 (0,67)	19 (0,75)	32 (1,26)	50 (1,97)	175,4 (6,91)	M12X1,75	0,420 (0,924)
KFRL-16	750 (1650)	93,7 (3,69)	40 (1,57)	53 (2,09)	7 (0,28)	8 (0,31)	28 (1,10)	25 (0,98)	40 (1,57)	65 (2,56)	249 (9,80)	M16X2,00	0,920 (2,024)
KFRF-16	750 (1650)	93,7 (3,69)	50 (1,97)	48,5 (1,91)	7 (0,28)	8 (0,31)	22 (0,87)	25 (0,98)	40 (1,57)	64,5 (2,54)	249 (9,80)	M16X2,00	0,820 (1,804)
KFRL-20	1500 (3300)	116 (4,57)	50,8 (2,00)	68 (2,68)	8,5 (0,33)	9 (0,35)	32 (1,26)	32 (1,26)	52 (2,05)	85 (3,35)	292 (11,50)	M20X2,00	1,950 (4,290)
KFRF-20	1500 (3300)	116 (4,57)	59 (2,32)	57 (2,24)	8,5 (0,33)	9 (0,35)	26,1 (1,03)	32 (1,26)	52 (2,05)	76 (2,99)	292 (11,50)	M20X2,00	1,750 (3,850)

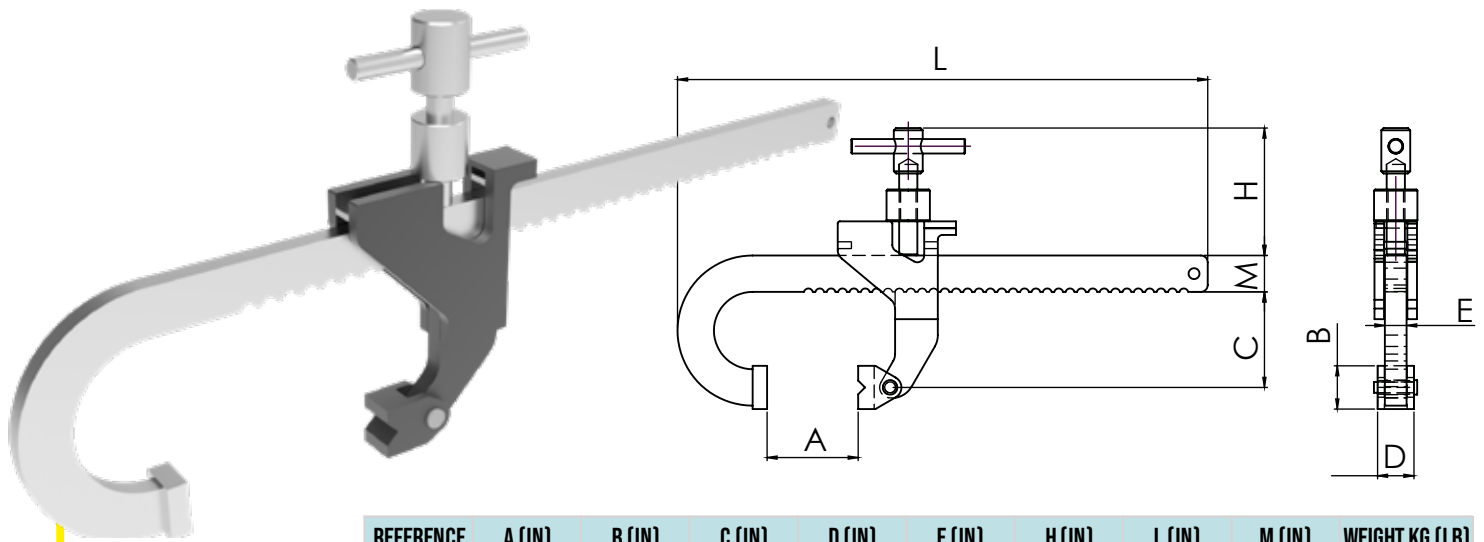
HANDLESS



AVAILABLE FINISHES:
 White Zinc Plating
 Black Oxide

REFERENCE	A (IN)	B (IN)	C (IN)	J1 (IN)	WEIGHT KG (LB)
KFM-6	30 (1,18)	16 (0,63)	16 (0,63)	M6X1,00	0,055 (0,121)
KFM-8	41 (1,61)	20 (0,79)	19,5 (0,77)	M8X1,25	0,105 (0,231)
KFM-10	48 (1,89)	24 (0,94)	22 (0,87)	M10X1,50	0,165 (0,363)
KFM-12	67 (2,64)	30 (1,18)	26 (1,02)	M12X1,75	0,305 (0,672)
KFM-16	80 (3,15)	45 (1,77)	40 (1,57)	M16x2,00	0,575 (1,267)

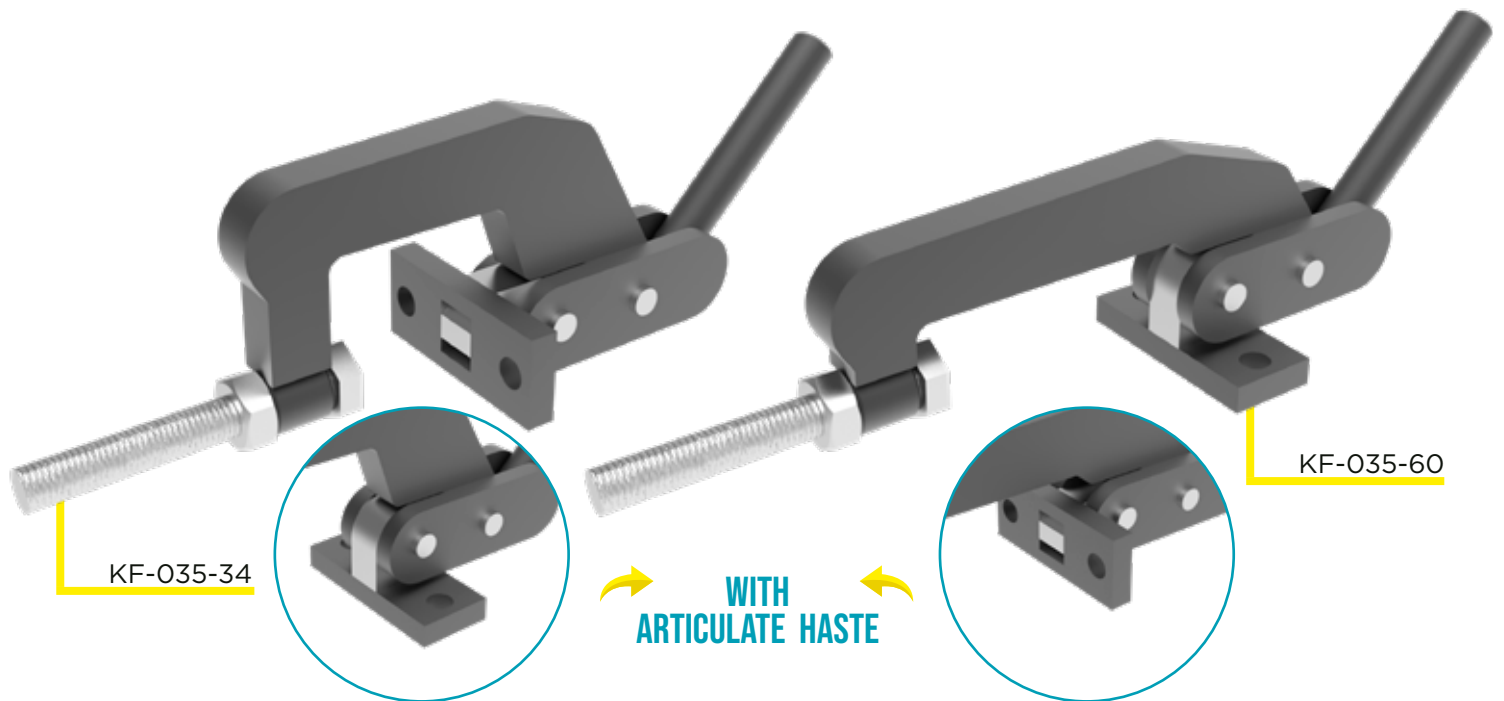
CARVER CLAMP



KF-150

REFERENCE	A (IN)	B (IN)	C (IN)	D (IN)	E (IN)	H (IN)	L (IN)	M (IN)	WEIGHT KG (LB)
KFS-150	150 (5,91)	19 (0,75)	42 (1,65)	16 (0,63)	9,5 (0,37)	50 (1,97)	233 (9,17)	16 (0,63)	0,600 (1,320)
KFS-300	320 (12,60)	25,4 (1,00)	81 (3,19)	19 (0,75)	9,5 (0,37)	85 (3,35)	472 (18,58)	22 (0,87)	1,900 (4,180)

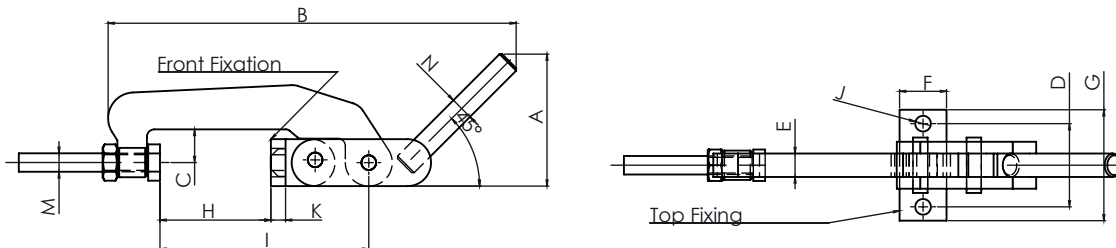
COMPRESSOR CLAMP



KF-035-34

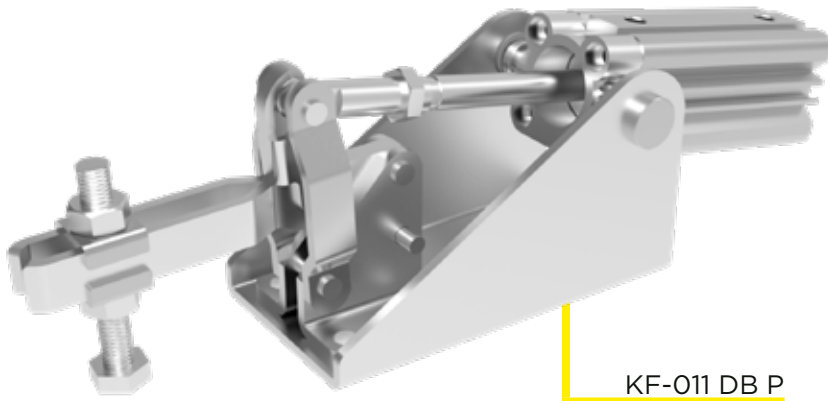
KF-035-60

WITH ARTICULATE HASTE

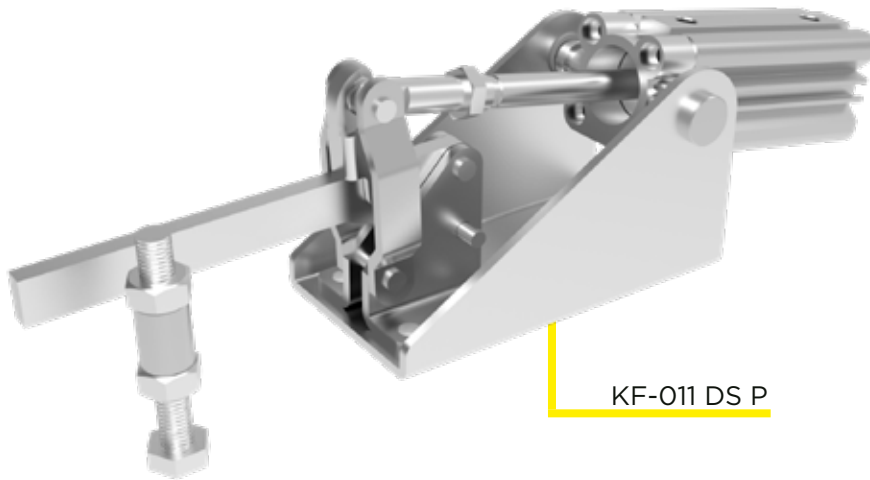
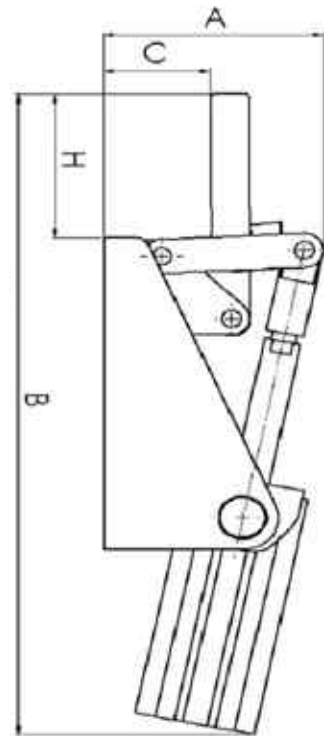


REFERENCE	RETENTION FORCE KGF (LBF)	A (IN)	B (IN)	C (IN)	D (IN)	E (IN)	F (IN)	G (IN)	H (IN)	I (IN)	J (IN)	K (IN)	M (IN)	N (IN)	WEIGHT KG (LB)
KF-035 34	1000 (2200)	71 (2,80)	195 (7,68)	36 (1,42)	45 (1,77)	12,7 (0,50)	25,4 (1,00)	60 (2,36)	34 (1,34)	87 (3,43)	8,5 (0,33)	7,94 (0,31)	M10	12,7 (0,50)	0,910 (2,002)
KF-035 60	1000 (2200)	71 (2,80)	221 (8,70)	18 (0,71)	45 (1,77)	12,7 (0,50)	25,4 (1,00)	60 (2,36)	60 (2,36)	113 (4,45)	8,5 (0,33)	7,94 (0,31)	M10	12,7 (0,50)	0,890 (1,958)
KF-035 3660	1000 (2200)	71 (2,80)	221 (8,70)	36 (1,42)	45 (1,77)	12,7 (0,50)	25,4 (1,00)	60 (2,36)	60 (2,36)	113 (4,45)	8,5 (0,33)	7,94 (0,31)	M10	12,7 (0,50)	0,955 (2,101)
KF-035 100	2000 (4400)	101 (3,98)	318 (12,52)	70 (2,76)	68 (2,68)	15,9 (0,63)	40 (1,57)	88 (3,46)	100 (3,94)	164 (6,46)	10,5 (0,41)	12,7 (0,50)	M10	15,9 (0,63)	2,215 (4,873)

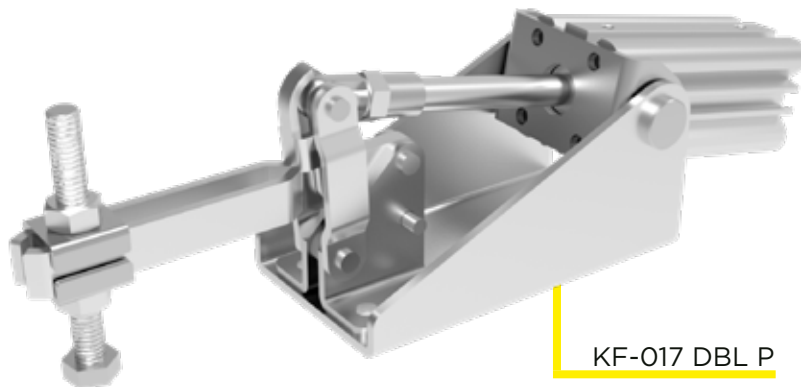
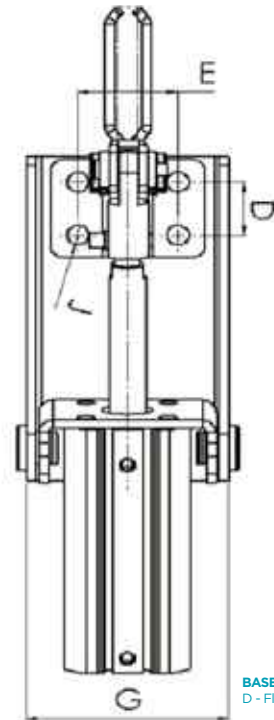
PNEUMATIC CLAMP



KF-011 DB P



KF-011 DS P



KF-017 DBL P

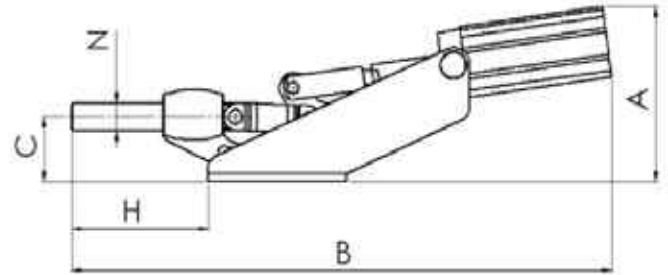
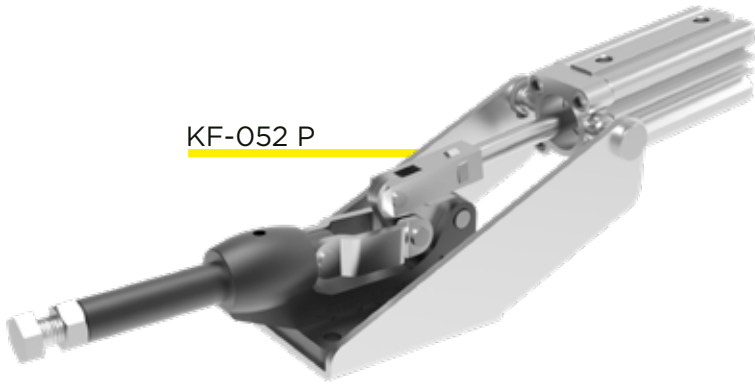
BASES
D - Flanged Base

BAR
B - U - Bar
S - Solid Bar
L - Long U-Bar

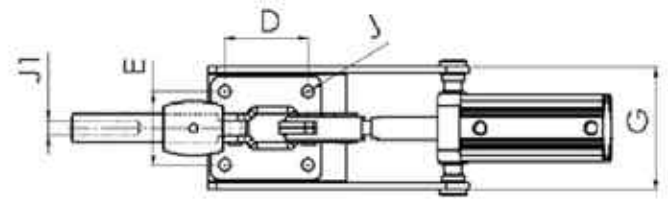
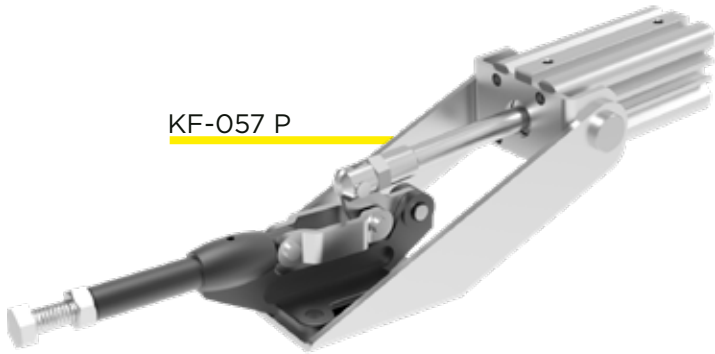
REFERENCE	RETENTION FORCE KGF (LBF)	A (IN)	B (IN)	C (IN)	D (IN)	E (IN)	G (IN)	H (IN)	J (IN)	ROSCA CIL	OPENING ANGLE	WEIGHT KG (LB)
KF-012 DB P	90 (198)	53 (2,09)	235 (9,25)	26 (1,02)	12,7 (0,50)	27 (1,06)	50 (1,97)	42 (1,65)	5,6 (0,22)	1/8 in NPT	70	0,630 (1,386)
KF-017 DB P	170 (374)	72 (2,83)	238 (9,37)	35 (1,38)	19 (0,75)	32 (1,26)	64 (2,52)	53 (2,09)	7,0 (0,28)	M5	100	1,510 (3,322)
KF-017 DBL P	150 (330)	72 (2,83)	268 (10,55)	35 (1,38)	19 (0,75)	32 (1,26)	64 (2,52)	83 (3,27)	7,0 (0,28)	M5	100	1,530 (3,366)
KF-017 DS P	200 (440)	72 (2,83)	268 (10,55)	35 (1,38)	19 (0,75)	32 (1,26)	64 (2,52)	83 (3,27)	7,0 (0,28)	M5	100	1,530 (3,366)
KF-011 DB P	280 (616)	97 (3,82)	328 (12,91)	47 (1,85)	32 (1,26)	44 (1,73)	79 (3,11)	86 (3,39)	8,5 (0,33)	1/8 in NPT	100	2,830 (6,226)
KF-011 DBL P	250 (550)	97 (3,82)	354 (13,94)	47 (1,85)	32 (1,26)	44 (1,73)	79 (3,11)	112 (4,41)	8,5 (0,33)	1/8 in NPT	100	2,860 (6,292)
KF-011 DS P	300 (660)	97 (3,82)	354 (13,94)	47 (1,85)	32 (1,26)	44 (1,73)	79 (3,11)	112 (4,41)	8,5 (0,33)	1/8 in NPT	100	2,850 (6,270)
KF-111 DB P	680 (1496)	119 (4,69)	393 (15,47)	55 (2,17)	32 (1,26)	45 (1,77)	89,5 (3,52)	100 (3,94)	8,5 (0,33)	1/8 in NPT	100	4,700 (10,340)
KF-111 DS P	700 (1540)	119 (4,69)	428 (16,85)	55 (2,17)	32 (1,26)	45 (1,77)	89,5 (3,52)	145 (5,71)	8,5 (0,33)	1/8 in NPT	100	4,700 (10,340)
KF-111 DBL P	650 (1433)	119 (4,69)	393 (15,47)	55 (2,17)	32 (1,26)	45 (1,77)	89,5 (3,52)	145 (5,71)	8,5 (0,33)	1/8 in NPT	100	3,550 (7,826)

PNEUMATIC CLAMP

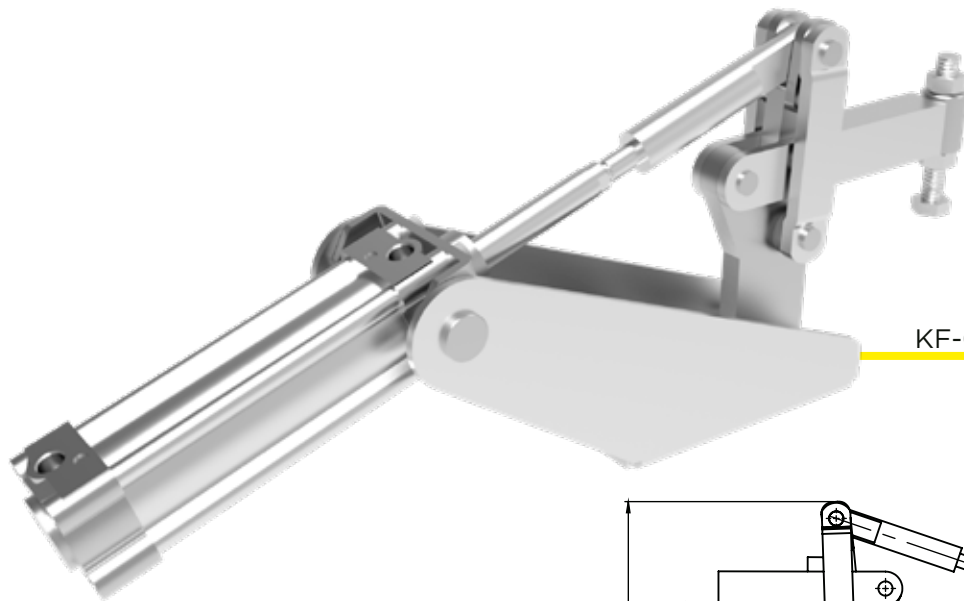
KF-052 P



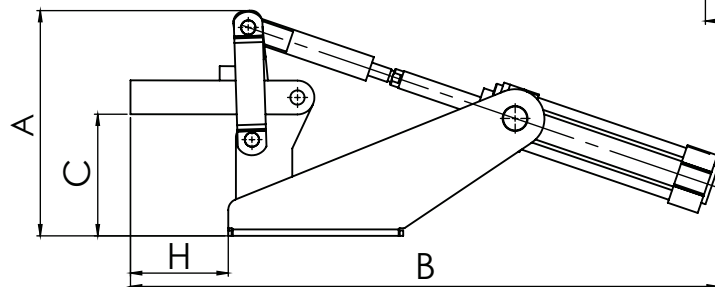
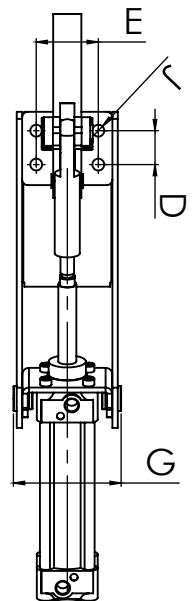
KF-057 P



REFERENCE	RETENTION FORCE KGF (LBF)	A (IN)	B (IN)	C (IN)	D (IN)	E (IN)	G (IN)	H (IN)	J (IN)	J1 (IN)	N (IN)	ROSCA CIL	WEIGHT KG (LB)
KF-057 P	230 (506)	80 (3,15)	284 (11,18)	25 (0,98)	35 (1,38)	40 (1,57)	65 (2,56)	68 (2,68)	7 (0,28)	M8X1,25	12 (0,47)	M5	1,500 (3,300)
KF-052 P	700 (1540)	119 (4,69)	390 (15,35)	44 (1,73)	60 (2,36)	50 (1,97)	83,5 (3,29)	99 (3,90)	8,5 (0,33)	M12X1,75	19 (0,75)	1/8 in NPT	3,700 (8,140)



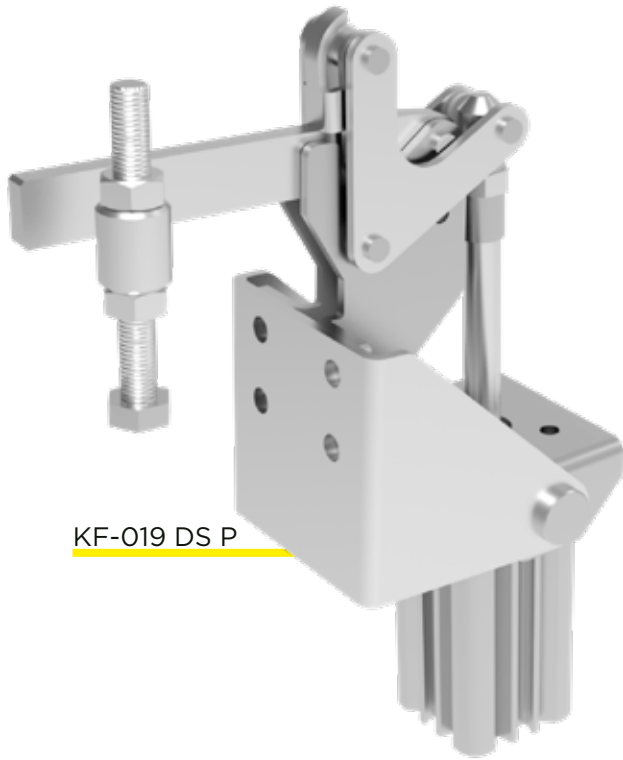
KF-066 TS P



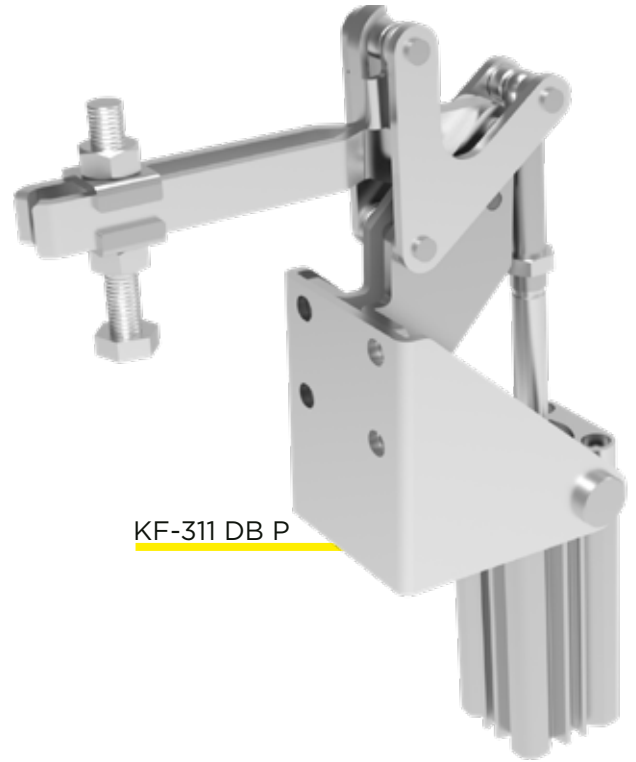
BASES
T - Base T BAR
S - Solid Bar

REFERENCE	RETENTION FORCE KGF (LBF)	A (IN)	B (IN)	C (IN)	D (IN)	E (IN)	G (IN)	H (IN)	J (IN)	ROSCA CIL	OPENING ANGLE	WEIGHT KG (LB)
KF-066 TS P	1400 (3080)	200 (7,87)	521 (20,51)	108 (4,25)	30 (1,18)	55 (2,17)	95,5 (3,76)	87 (3,43)	10,5 (0,41)	1/8 in NPT	55	7,700 (16,940)

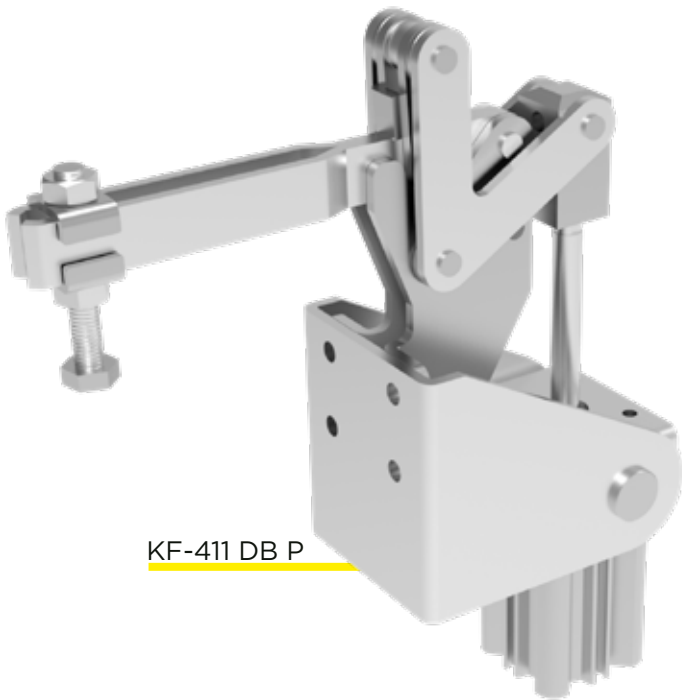
PNEUMATIC CLAMP



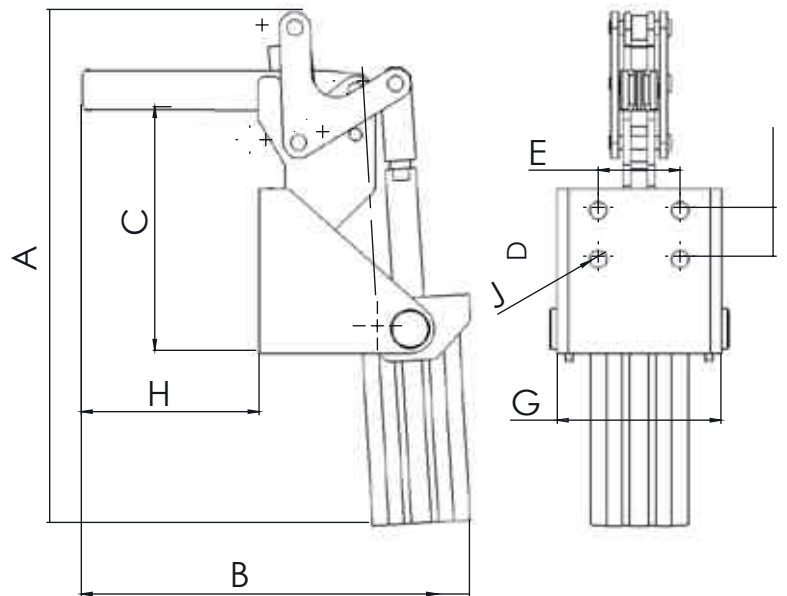
KF-019 DS P



KF-311 DB P



KF-411 DB P

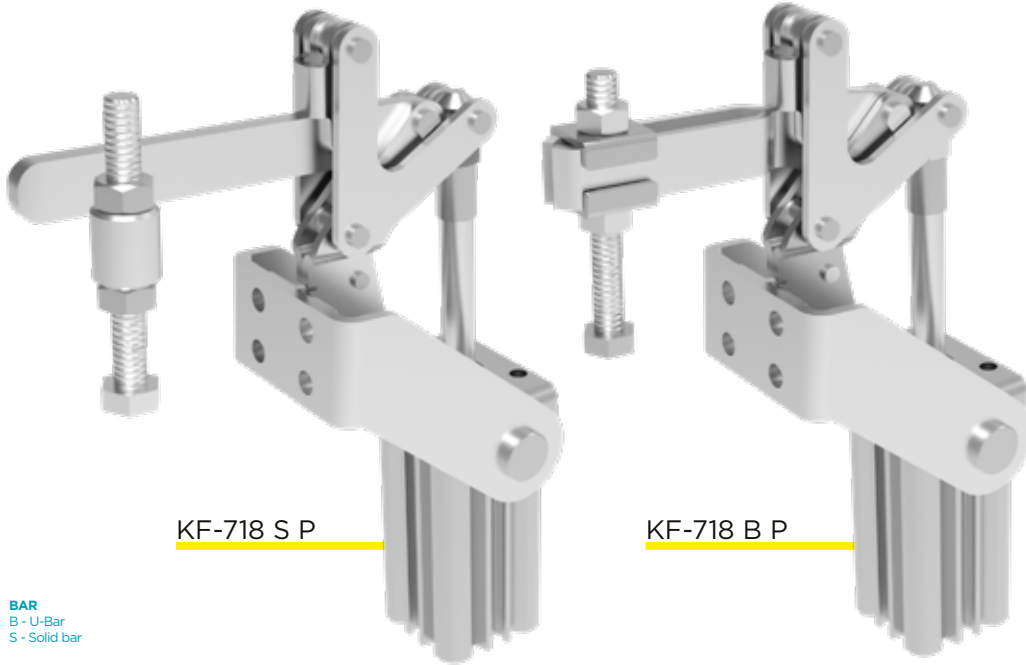


BASES
D - Flanged Base

BAR
B - U-Bar
S - Solid Bar

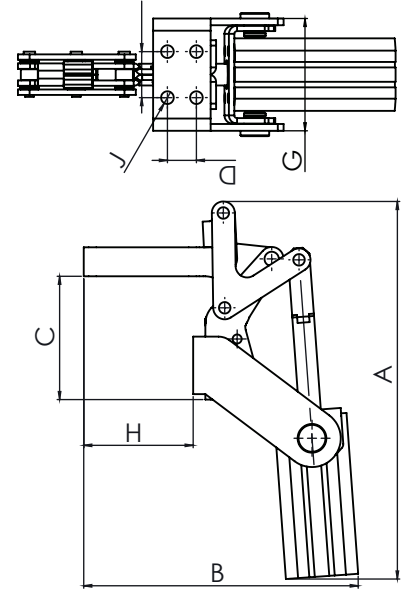
REFERENCE	RETENTION FORCE KGF (LBF)	A (IN)	B (IN)	C (IN)	D (IN)	E (IN)	G (IN)	H (IN)	J (IN)	ROSCA CIL	OPENING ANGLE	WEIGHT KG (LB)
KF-019 DB P	250 (550)	210 (8,27)	159 (6,26)	97 (3,82)	20 (0,79)	33,5 (1,32)	67 (2,64)	73 (2,87)	7,0 (0,28)	M5	100	1,600 (3,520)
KF-019 DS P	280 (616)	210 (8,27)	159 (6,26)	97 (3,82)	20 (0,79)	33,5 (1,32)	67 (2,64)	73 (2,87)	7,0 (0,28)	M5	100	1,600 (3,520)
KF-311 DB P	250 (550)	282 (11,10)	216 (8,50)	130 (5,12)	32 (1,26)	44 (1,73)	75 (2,95)	102 (4,02)	8,5 (0,33)	1/8 in NPT	100	2,830 (6,226)
KF-311 DS P	300 (660)	282 (11,10)	216 (8,50)	130 (5,12)	32 (1,26)	44 (1,73)	75 (2,95)	102 (4,02)	8,5 (0,33)	1/8 in NPT	100	2,800 (6,160)
KF-411 DB P	650 (1430)	295 (11,61)	256 (10,08)	156 (6,14)	32 (1,26)	45 (1,77)	90 (3,54)	128 (5,04)	8,5 (0,33)	1/8 in NPT	100	4,800 (10,560)
KF-411 DS P	700 (1540)	295 (11,61)	256 (10,08)	156 (6,14)	32 (1,26)	45 (1,77)	90 (3,54)	128 (5,04)	8,5 (0,33)	1/8 in NPT	100	4,800 (10,560)

PNEUMATIC CLAMP



KF-718 S P

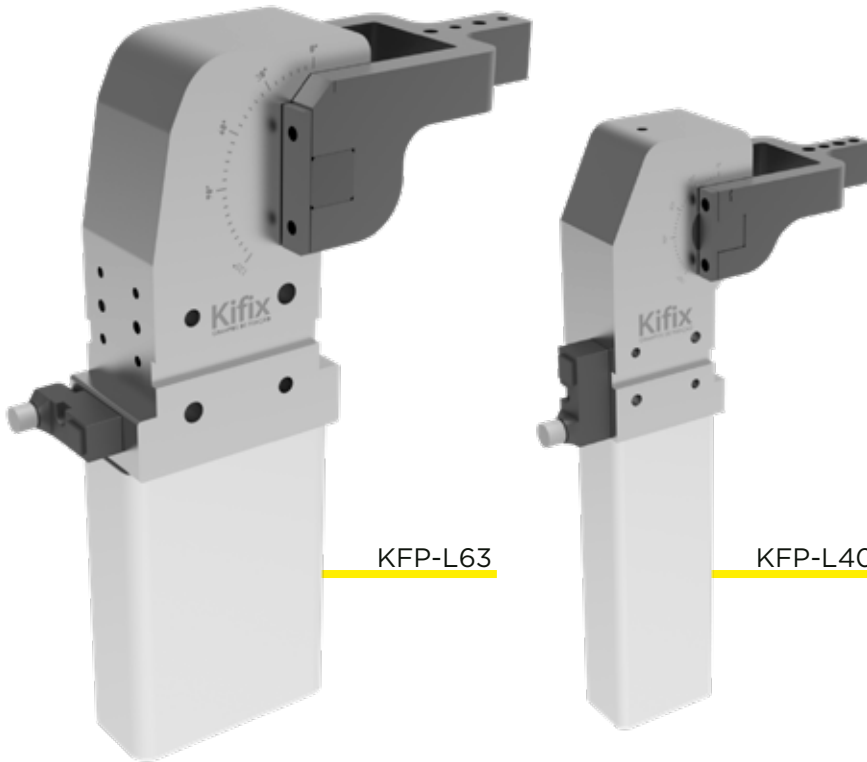
KF-718 B P



BAR
B - U-Bar
S - Solid bar

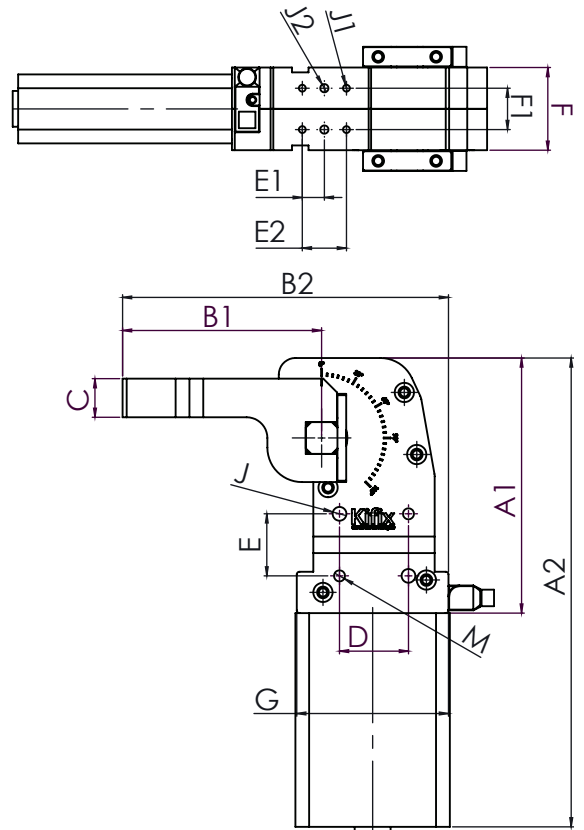
REFERENCE	RETENTION FORCE KGF (LBF)	A (IN)	B (IN)	C (IN)	D (IN)	E (IN)	G (IN)	H (IN)	J (IN)	ROSCA CIL	WEIGHT KG (LB)
KF-718 B P	200 (440)	203 (7,99)	152 (5,98)	68 (2,68)	16 (0,63)	25,4 (1,00)	62 (2,44)	60,4 (2,38)	7,0 (0,28)	M5	1,500 (3,300)
KF-718 S P	200 (440)	203 (7,99)	169 (6,65)	68 (2,68)	16 (0,63)	25,4 (1,00)	62 (2,44)	78 (3,07)	7,0 (0,28)	M5	1,500 (3,300)

POWER CLAMP



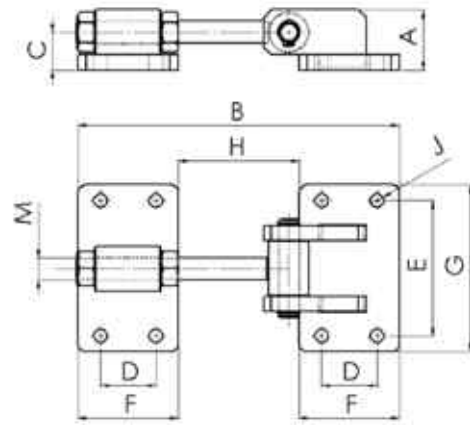
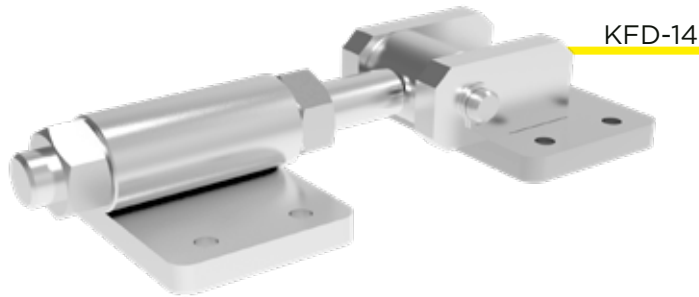
KFP-L63

KFP-L40



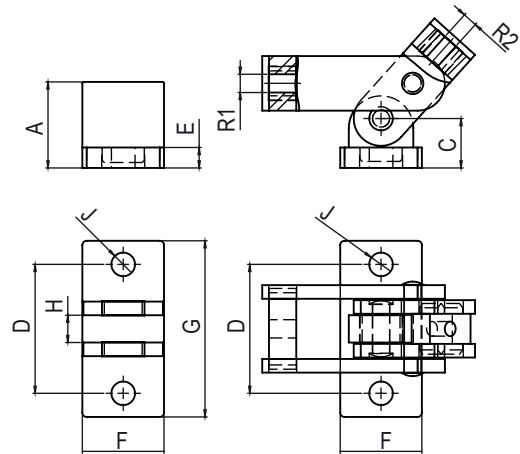
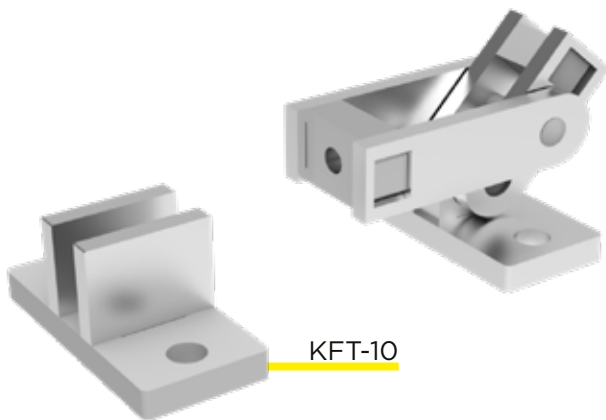
REFERENCE	RETENTION FORCE KGF (LBF)	OPENING ANGLE	A1 (IN)	A2 (IN)	B1 (IN)	B2 (IN)	C (IN)	D (IN)	D1 (IN)	E (IN)	E1 (IN)	E2 (IN)	F (IN)	F1 (IN)	G (IN)	J (IN)	J1 (IN)	J2 (IN)	M (IN)	WEIGHT KG (LB)
KFP-L40	400 (880)	0°-135°	146 (5,75)	325 (12,80)	110 (4,33)	170 (6,69)	22 (0,87)	35 (1,38)	25 (0,98)	25 (0,98)	-	20 (0,79)	48 (1,89)	24 (0,94)	65 (2,56)	6 (0,24)	M6	-	M6	6,000 (13,200)
KFP-L63	1100 (2420)	0°-135°	185 (7,28)	340 (13,39)	144 (5,67)	236 (9,29)	28 (1,10)	50 (1,97)	30 (1,18)	45 (1,77)	16 (0,63)	32 (1,26)	60 (2,36)	30 (1,18)	110 (4,33)	10 (0,39)	M6	6 (0,24)	M10	6,500 (14,300)

HINGE



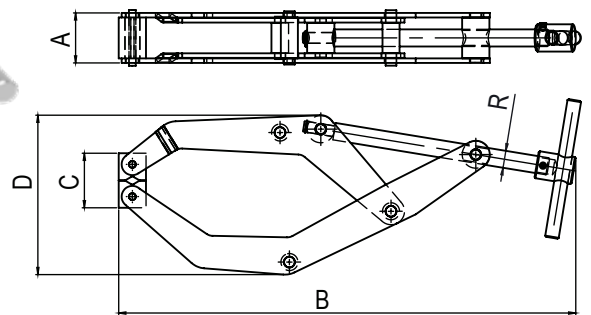
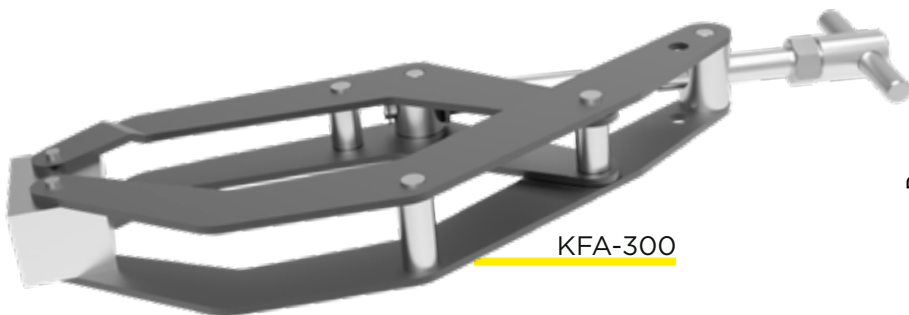
REFERENCE	RETENTION FORCE KGF (LBF)	A (IN)	B (IN)	C (IN)	D (IN)	E (IN)	F (IN)	G (IN)	H (IN)	J (IN)	M (IN)	WEIGHT KG (LB)
KFD-14	900 (1980)	33 (1,30)	156 (6,14)	21 (0,83)	26 (1,02)	60 (2,36)	50 (1,97)	76 (2,99)	56 (2,20)	5,5 (0,22)	M14x2,00	1,040 (2,288)
KFD-19	1400 (3080)	38,1 (1,50)	203,5 (8,01)	23,8 (0,94)	35 (1,38)	85 (3,35)	63,5 (2,50)	105 (4,13)	76,5 (3,01)	8,5 (0,33)	M14x2,00	1,750 (3,850)

LATCH



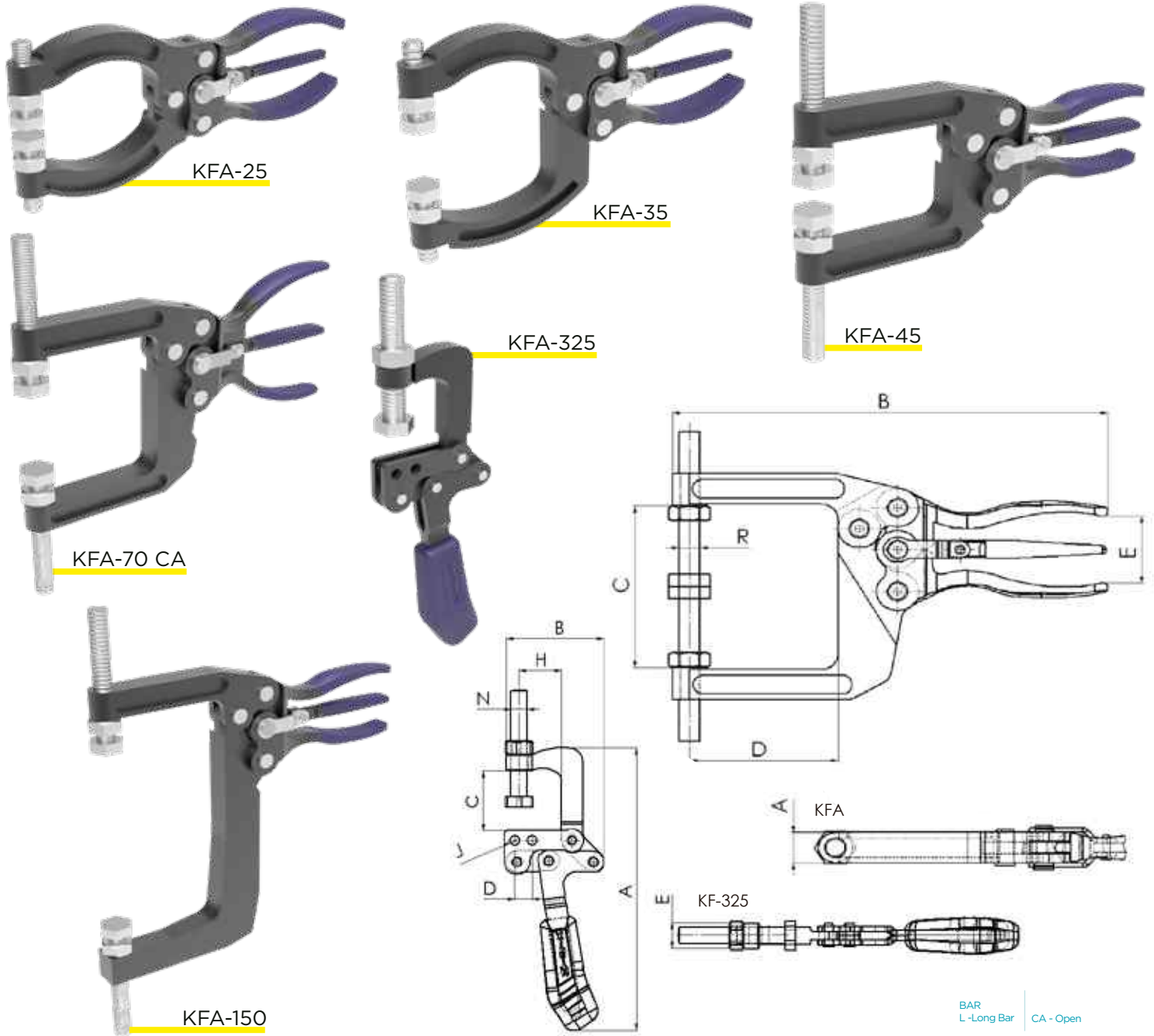
REFERENCE	RETENTION FORCE KGF (LBF)	A (IN)	C (IN)	D (IN)	E (IN)	F (IN)	G (IN)	H (IN)	J (IN)	R1 (IN)	R2 (IN)	WEIGHT KG (LB)
KFT-10	900 (1980)	40 (1,57)	23 (0,91)	60 (2,36)	9,5 (0,37)	38 (1,50)	82 (3,23)	12,7 (0,50)	11 (0,43)	M10x1,50	M8x1,25	1,040 (2,288)
KFT-14	1400 (3080)	40 (1,57)	25 (0,98)	70 (2,76)	9,5 (0,37)	38 (1,50)	90 (3,54)	16 (0,63)	12,5 (0,49)	M14x2,00	M14x2,00	1,370 (3,014)

SQUEEZE ACTION CLAMP



REFERENCE	RETENTION FORCE KGF (LBF)	A (IN)	B (IN)	C (CLOSED) (IN)	C (OPEN) (IN)	D (IN)	R (IN)	WEIGHT KG (LB)
KFA-300	150 (330)	47 (1,85)	432 (17,01)	60 (2,36)	300 (11,81)	148 (5,83)	M16x2,00	2,750 (6,050)

SQUEEZE ACTION CLAMP



REFERENCE	RETENTION FORCE KGF (LBF)	A (IN)	B (IN)	C (IN)	D (IN)	E (IN)	H (IN)	J (IN)	N (IN)	OPENING ANGLE	WEIGHT KG (LB)
KF-325	900 (1980)	212 (8,35)	73 (2,87)	45,3 (1,78)	12,7 (0,50)	19 (0,75)	32 (1,26)	6,8 (0,27)	M12X1,75	93	0,575 (1,265)

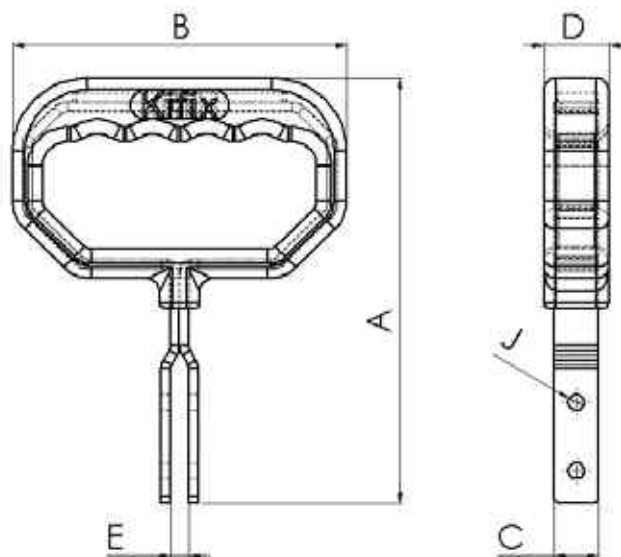
REFERENCE	RETENTION FORCE KGF (LBF)	A (IN)	B (IN)	C (IN)	D (IN)	E (IN)	R (IN)	WEIGHT KG (LB)
KFA-25	250 (550)	10 (0,39)	140 (5,51)	28 (1,10)	46,5 (1,83)	21,4 (0,84)	M6X1,00	0,240 (0,528)
KFA-35	250 (550)	10 (0,39)	140 (5,51)	45 (1,77)	46,5 (1,83)	21,4 (0,84)	M6X1,00	0,250 (0,550)
KFA-45	900 (1980)	16 (0,63)	205 (8,07)	53 (2,09)	70 (2,76)	35,2 (1,39)	M10X1,50	0,890 (1,958)
KFA-45 CA	900 (1980)	16 (0,63)	205 (8,07)	53 (2,09)	70 (2,76)	80,2 (3,16)	M10X1,50	1,010 (2,222)
KFA-70	900 (1980)	16 (0,63)	205 (8,07)	85 (3,35)	70 (2,76)	35,2 (1,39)	M10X1,50	0,980 (2,156)
KFA-70 CA	900 (1980)	16 (0,63)	205 (8,07)	85 (3,35)	70 (2,76)	80,2 (3,16)	M10X1,50	1,100 (2,420)
KFA-90	900 (1980)	16 (0,63)	205 (8,07)	93 (3,66)	71,5 (2,81)	35,2 (1,39)	M10X1,50	1,120 (2,464)
KFA-90 CA	900 (1980)	16 (0,63)	205 (8,07)	93 (3,66)	71,5 (2,81)	80,2 (3,16)	M10X1,50	1,240 (2,728)
KFA-90 L	250 (550)	16 (0,63)	305 (12,01)	93 (3,66)	171,5 (6,75)	35,2 (1,39)	M10X1,50	1,490 (3,278)
KFA-100	900 (1980)	16 (0,63)	205 (8,07)	103 (4,06)	71,5 (2,81)	35,2 (1,39)	M10X1,50	1,150 (2,530)
KFA-100 CA	900 (1980)	16 (0,63)	205 (8,07)	103 (4,06)	71,5 (2,81)	80,2 (3,16)	M10X1,50	1,270 (2,794)
KFA-150	900 (1980)	16 (0,63)	205 (8,07)	153 (6,02)	71,5 (2,81)	35,2 (1,39)	M10X1,50	1,290 (2,838)
KFA-150 CA	900 (1980)	16 (0,63)	205 (8,07)	153 (6,02)	71,5 (2,81)	85,2 (3,35)	M10X1,50	1,410 (3,102)

HAND HANDLE

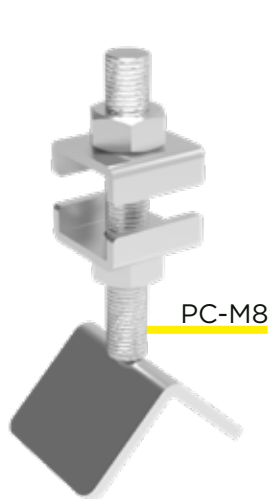


KF-AL

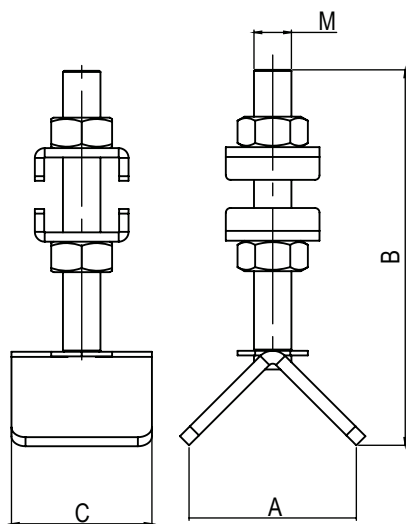
REFERENCE	A (IN)	B (IN)	C (IN)	D (IN)	E (IN)	J (IN)	WEIGHT KG (LB)
KF-AL	174 (6,85)	134 (5,28)	18 (6,85)	26 (1,02)	7,5 (0,30)	6,4 (0,25)	0,460 (1,012)



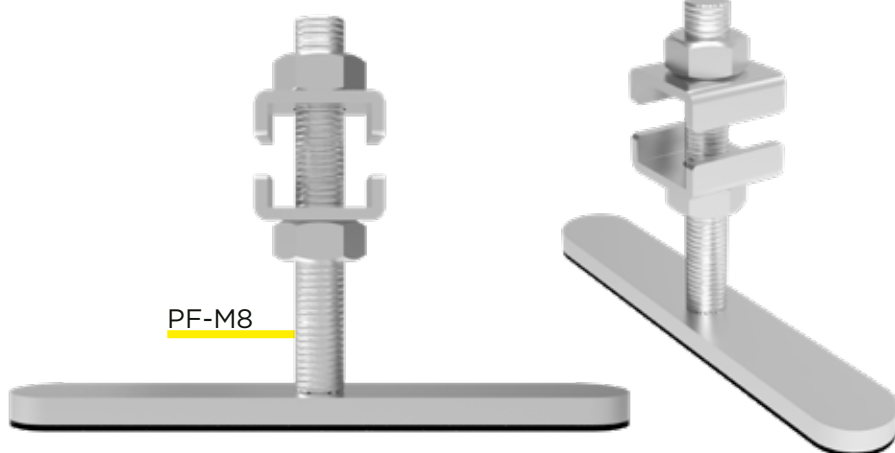
SPINDLE



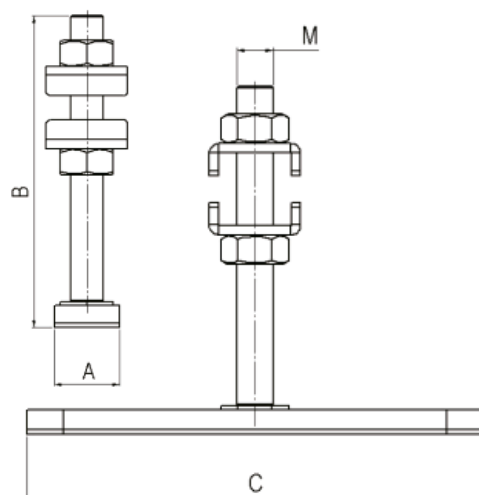
PC-M8



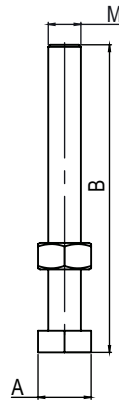
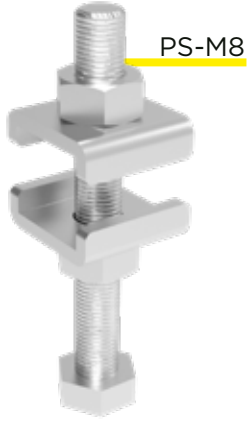
REFERENCE	A (IN)	B (IN)	C (IN)	M (IN)
PC-M6	36 (1,42)	80 (3,15)	30 (1,18)	M6
PC-M8	36 (1,42)	100 (3,94)	30 (1,18)	M8
PC-M10	36 (1,42)	91 (3,58)	30 (1,18)	M10
PF-M6 35x40	16 (0,63)	35 (1,38)	40 (1,57)	M6
PF-M6 51x40	16 (0,63)	51 (2,01)	40 (1,57)	M6
PF-M6 51x100	16 (0,63)	51 (2,01)	100 (3,94)	M6
PF-M6 66x100	16 (0,63)	66 (2,60)	100 (3,94)	M6
PF-M8	16 (0,63)	77 (3,03)	100 (3,94)	M8
PF-M10	16 (0,63)	77 (3,03)	100 (3,94)	M10



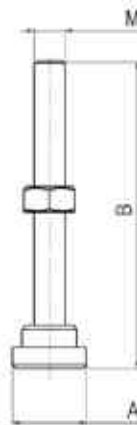
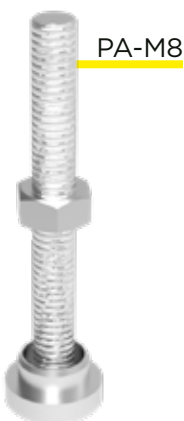
PF-M8



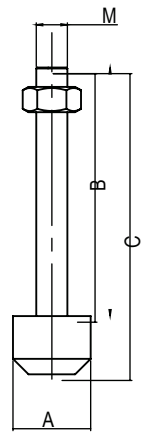
SPINDLE



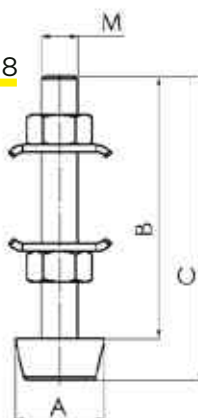
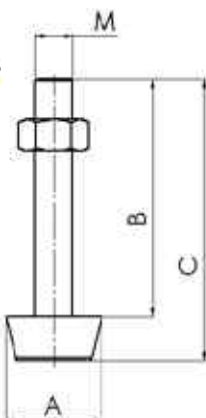
REFERENCE	A (IN)	B (IN)	M (IN)
PP-M6	10 (0,39)	49 (1,93)	M6
PP-M8	13 (0,51)	45 (1,77)	M8
PP-M10	17 (0,67)	51 (2,01)	M10
PP-M12	19 (0,75)	47 (1,85)	M12
PP-M16	24 (0,94)	79 (3,11)	M16
PS-M6	10 (0,39)	64 (2,52)	M6
PS-M8	13 (0,51)	75 (2,95)	M8
PS-M10	17 (0,67)	77 (3,03)	M10
PSB-M6	10 (0,39)	64 (2,52)	M6
PSB-M8	13 (0,51)	75 (2,95)	M8
PSB-M10	17 (0,67)	77 (3,03)	M10
PSB-M12	19 (0,75)	87 (3,43)	M12



REFERENCE	A (IN)	B (IN)	M (IN)
PA-M6	19 (0,75)	67 (2,64)	M6
PA-M8	19 (0,75)	80 (3,15)	M8
PA-M10	19 (0,75)	80 (3,15)	M10
PA-M12	32 (1,26)	95 (3,74)	M12
PA-M16	32 (1,26)	118 (4,65)	M16
ARP-M6	19 (0,75)	67 (2,64)	M6
ARP-M8	19 (0,75)	80 (3,15)	M8
ARP-M10	19 (0,75)	80 (3,15)	M10
ARB-M6	19 (0,75)	67 (2,64)	M6
ARB-M8	19 (0,75)	80 (3,15)	M8
ARB-M10	19 (0,75)	80 (3,15)	M10
ARB-M16	32 (1,26)	118 (4,65)	M16



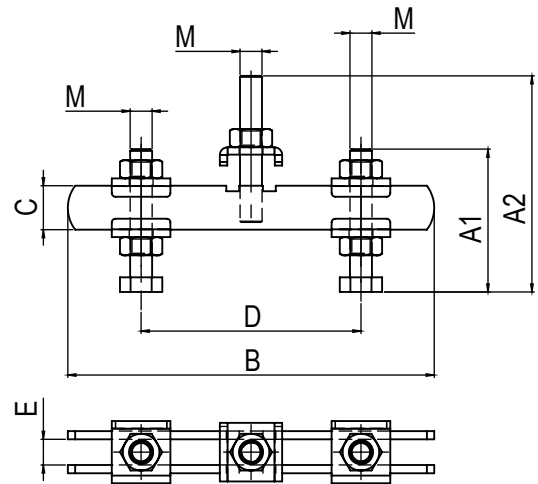
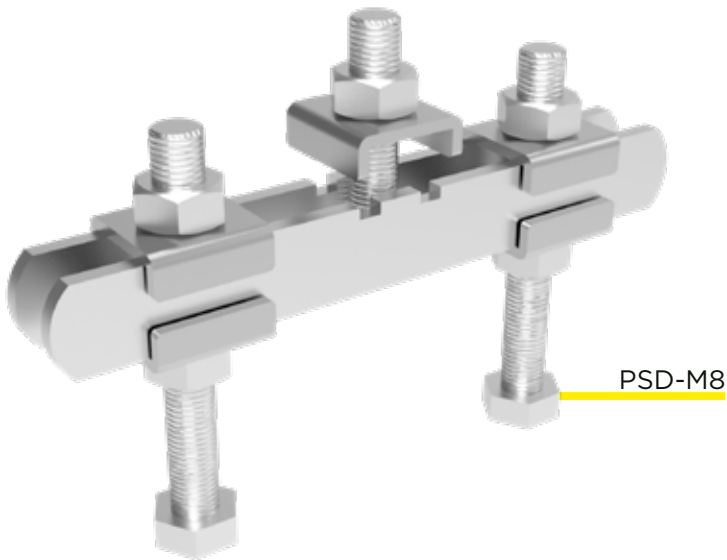
REFERENCE	A (IN)	B (IN)	C (IN)	M (IN)
PB-M6	15 (0,59)	57 (2,24)	69 (2,72)	M6
PB-M8	18,5 (0,73)	63 (2,48)	78 (3,07)	M8
PB-M10	23 (0,91)	63 (2,48)	82 (3,23)	M10
BRP-M6	15 (0,59)	57 (2,24)	69 (2,72)	M6
BRP-M8	18,5 (0,73)	63 (2,48)	78 (3,07)	M8
BRP-M10	23 (0,91)	63 (2,48)	82 (3,23)	M10
BRB-M6	15 (0,59)	57 (2,24)	69 (2,72)	M6
BRB-M8	18,5 (0,73)	63 (2,48)	78 (3,07)	M8
BRB-M10	23 (0,91)	63 (2,48)	82 (3,23)	M10
BAP-M6	16 (0,63)	24 (0,94)	31 (1,22)	M6



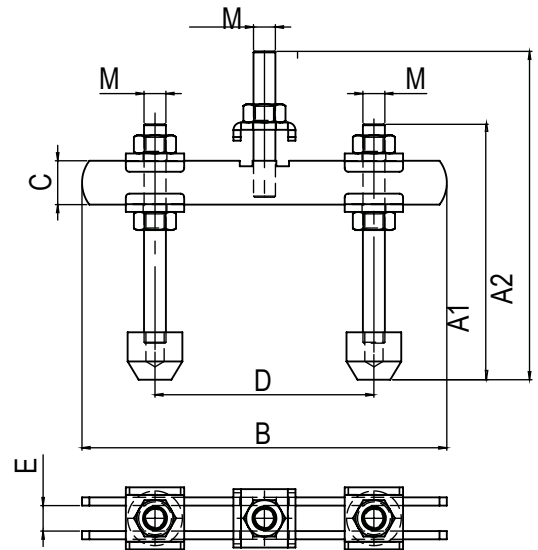
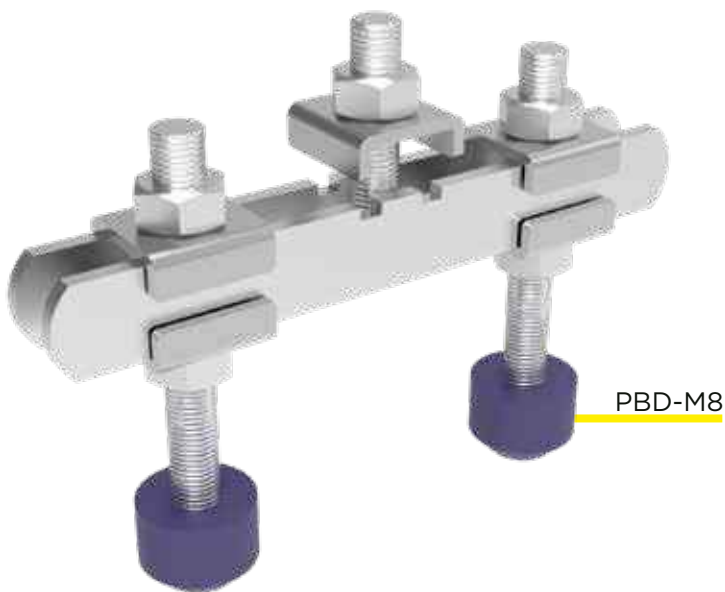
REFERENCE	A (IN)	B (IN)	C (IN)	M (IN)
PBC-M4X20	11,2 (0,44)	19 (0,75)	24 (0,94)	M4
PBC-M4X30	11,2 (0,44)	29 (1,14)	34 (1,34)	M4
PBC-M5X25	12,7 (0,50)	25 (0,98)	30 (1,18)	M5
PBC-M5X30	12,7 (0,50)	30 (1,18)	35 (1,38)	M5
PBC-M5X35	12,7 (0,50)	35 (1,38)	40 (1,57)	M5
PBC-M6X30	15,8 (0,62)	29 (1,14)	36 (1,42)	M6
PBC-M6X40	15,8 (0,62)	39 (1,54)	46 (1,81)	M6
PBC-M6X45	15,8 (0,62)	44 (1,73)	51 (2,01)	M6

REFERENCE	A (IN)	B (IN)	C (IN)	M (IN)
BRPC-M5X25	12,7 (0,50)	25 (0,98)	30 (1,18)	M5
BRPC-M5X30	12,7 (0,50)	30 (1,18)	35 (1,38)	M5
BRPC-M5X35	12,7 (0,50)	35 (1,38)	40 (1,57)	M5
BRPC-M6X30	15,8 (0,62)	29 (1,14)	36 (1,42)	M6
BRPC-M6X40	15,8 (0,62)	39 (1,54)	46 (1,81)	M6
BRPC-M6X45	15,8 (0,62)	44 (1,73)	51 (2,01)	M6

SPINDLE



REFERENCE	A1 (IN)	A2 (IN)	B (IN)	C (IN)	D MÍN (IN)	D MÁX (IN)	E (IN)	M (IN)
PSD-M6	49 (1,93)	59 (2,32)	100 (3,94)	12 (0,47)	30 (1,18)	80 (3,15)	7 (0,28)	M6
PSD-M8	75 (2,95)	86 (3,39)	120 (4,72)	15 (0,59)	35 (1,38)	92 (3,62)	9 (0,35)	M8
PSD-M10	76 (2,99)	90 (3,54)	180 (7,09)	20 (0,79)	42 (1,65)	148 (5,83)	11 (0,43)	M10



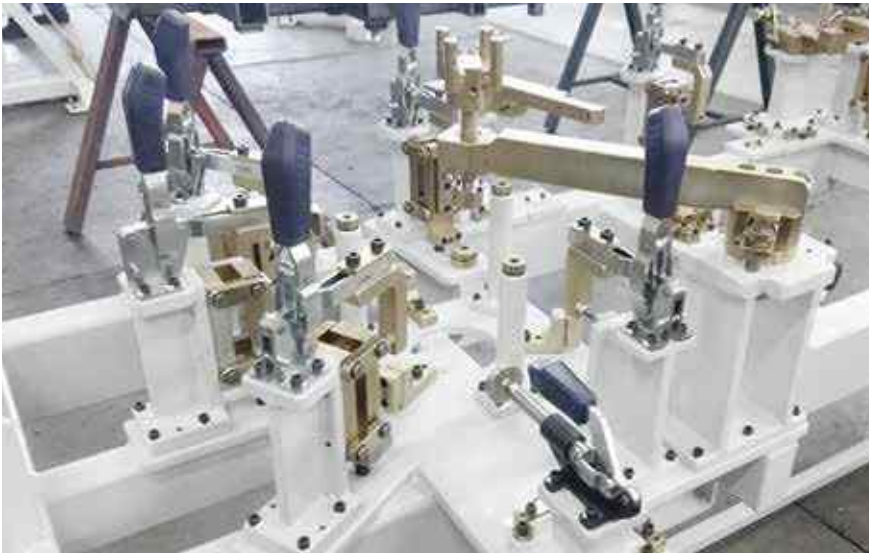
REFERENCE	A1 (IN)	A2 (IN)	B (IN)	C (IN)	D MÍN (IN)	D MÁX (IN)	E (IN)	M (IN)
PBD-M6	69 (2,72)	89 (3,50)	100 (3,94)	12 (0,47)	30 (1,18)	80 (3,15)	7 (0,28)	M6
PBD-M8	78 (3,07)	89 (3,50)	120 (4,72)	15 (0,59)	35 (1,38)	92 (3,62)	9 (0,35)	M8
PBD-M10	82 (3,23)	95 (3,74)	180 (7,09)	20 (0,79)	42 (1,65)	148 (5,83)	11 (0,43)	M10

REFERENCE

PP
PS
PSB
PB
BRP
BRB
PBC
BRPC
BAP
PA
ARP
ARB
PC
PF
PBD
PSD

SUBTITLE

Hex Head Fully - Threaded
Hex Head - Flanged Washers
Hex Head Bolt Retainer
Flap - Tip Bonded Neoprene Cap
Flap - Tip Bonded Neoprene Cap - Flanged Washers
Flap - Tip Bonded Neoprene Cap - Bolt Retainer
Rubber cone spindle with nut
Rubber cone spindle with washer
Flat - Tip Bonded Neoprene Cap - Ring
Swivel Foot
Swivel Foot - Flanged Washers
Swivel Foot - Bolt Retainer
Corner Foot - Flanged Washers
Felt Foot - Flanged Washers
Flat - Tip Bonded Neoprene Cap - Double Piece
Hex Head - Fully Threaded - Double Piece

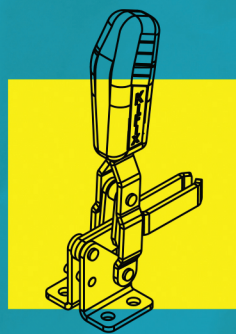


WE ALSO HAVE
stainless
steel clamps &
toggle-lock clamps



APPLICATIONS

TOGGLE CLAMP
CLAMPING FAST
ROBUSTNESS
AGILITY



Kifix[®]
CLAMPING SOLUTIONS

f /kifixgrampos

@kifixgrampos

Kifix Grampos de Fixação

in Kifix Indústria e Comércio Ltda

www.kifix.com.br